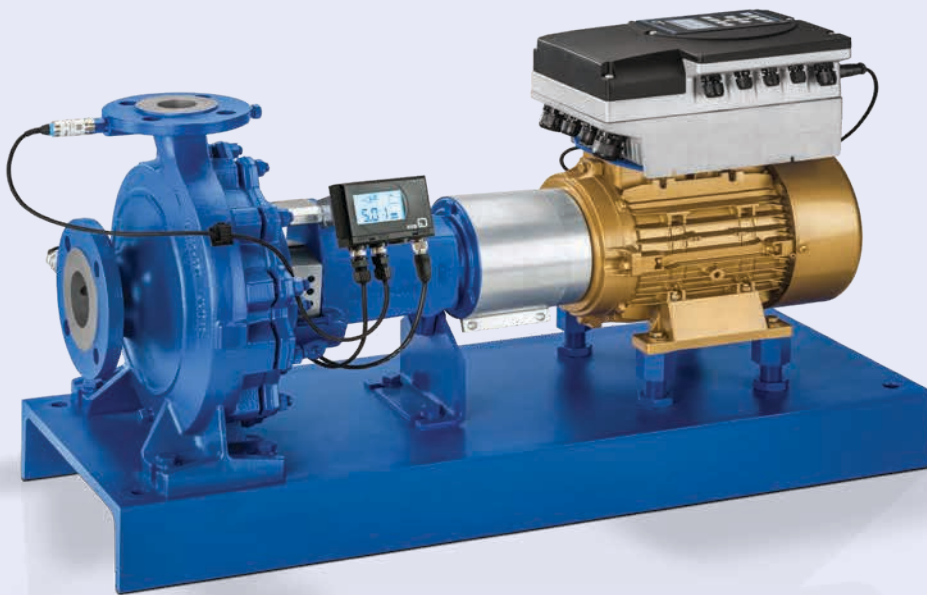


Etabloc / Etanorm – Standardised Water Pumps



Etanorm with PumpMeter, KSB SuPremE® IE5 motor* and PumpDrive

Applications:

Pure liquids not chemically or mechanically aggressive to the pump materials

- Water supply systems
- Cooling circuits
- Swimming pools
- Fire-fighting systems
- General irrigation systems
- Drainage systems
- Heating systems
- Air-conditioning systems
- Spray irrigation systems

More information:

www.ksb.com



Etabloc with KSB SuPremE® IE5 motor*, PumpMeter and PumpDrive



Etanorm (from size 150-125-510)

Intelligent monitoring



KSB Guard

Etabloc / Etanorm – Standardised Water Pumps

Excellent energy efficiency

- Advanced hydraulic system with high efficiencies: As standard, the impeller diameter is trimmed to match the duty point.
- Intelligent pump monitoring with KSB's PumpMeter (optional)
- Intelligent variable speed system with KSB's PumpDrive and KSB SuPremE® motor: energy savings of up to 60 percent
- ErP Directive (MEI ≥ 0.4): Minimum requirements are exceeded by far.

Reliable operation

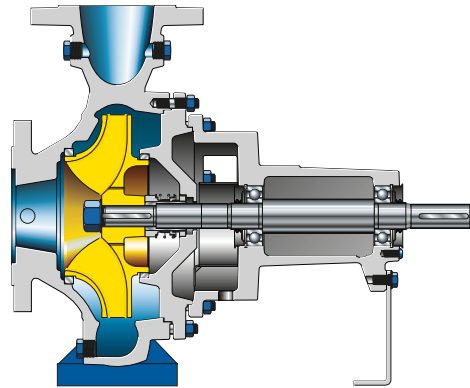
- Pump hydraulic system with low NPSH values and optimum suction characteristics
- Confined volute casing gasket
- Large stud diameters and threads (M12/M16)
- The shaft protecting sleeve prevents wear of the pump shaft.
- The conical seal chamber of the mechanical seal prevents internal circulation and improves venting and flushing.

Wide range of variants

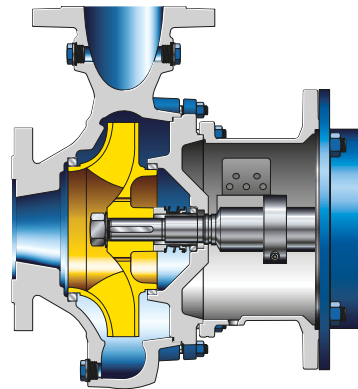
- Large range of shaft seals: single mechanical seal, gland packing and double mechanical seal as standard
- Large variety of materials for the most diverse of fluids handled
- Large number of pump sizes: 62 for Etanorm and 42 for Etabloc
- Flanges to EN 1092, optionally with ASME bolt hole pattern (Etanorm only)

Ease of service

- Easily replaceable casing wear rings reduce wear at impeller and casing cover.
- Forcing screws at casing cover facilitate dismantling of the pump casing.
- Available as an option: KSB Guard for monitoring temperature and vibrations



Etanorm



Etabloc – without pump foot

*IE5 in accordance with IEC/TS 60034-30-2 up to 15/18.5 kW (for 1500 rpm models rated 0.55 kW, 0.75 kW, 2.2 kW, 3 kW, 4 kW only: IE5 in preparation)

Materials

Grey cast iron EN-GJL-250 / A48 Cl. 35B

Nodular cast iron EN-GJS-400-15 / A536 Gr. 60-40-18 / JS1025

Stainless steel 1.4408 / A743 Gr. CF8 M

Bronze CC480K-GS / B30 C90700

Technical data	Etabloc	Etanorm
Flow rate	Up to 640 m ³ /h (50 Hz) Up to 753 m ³ /h (60 Hz)	Up to 1930 m ³ /h (50 Hz) Up to 2321 m ³ /h (60 Hz)
Head	Up to 160 m (50 Hz) Up to 148 m (60 Hz)	Up to 160 m (50 Hz) Up to 160 m (60 Hz)
Fluid temperature	-30 °C to +140 °C	
Operating pressure	Up to 16 bar	



KSB SE & Co. KGaA
Johann-Klein-Straße 9
67227 Frankenthal (Germany)
www.ksb.com