

Body: EN-GJS-400-18-LT two way form
for heat transfer oil
Pressure range: PN16, PN25
Immersion length acc. to DIN EN 558, basic series 1
Flanges acc. to DIN EN 1092-2 type 21
Spindle sealing: double wall bellow
and safety stuffing box
Internal parts: stainless steel, replaceable seat rings
Flow characteristic: equal percentage (partially modified)

Function:

The valve opens the straightway against outside spring when the differential pressure on the valve plug is rising.
Response pressure: adjustable 1...4 bar with a wrench (width across flats 17 mm)

Order text:

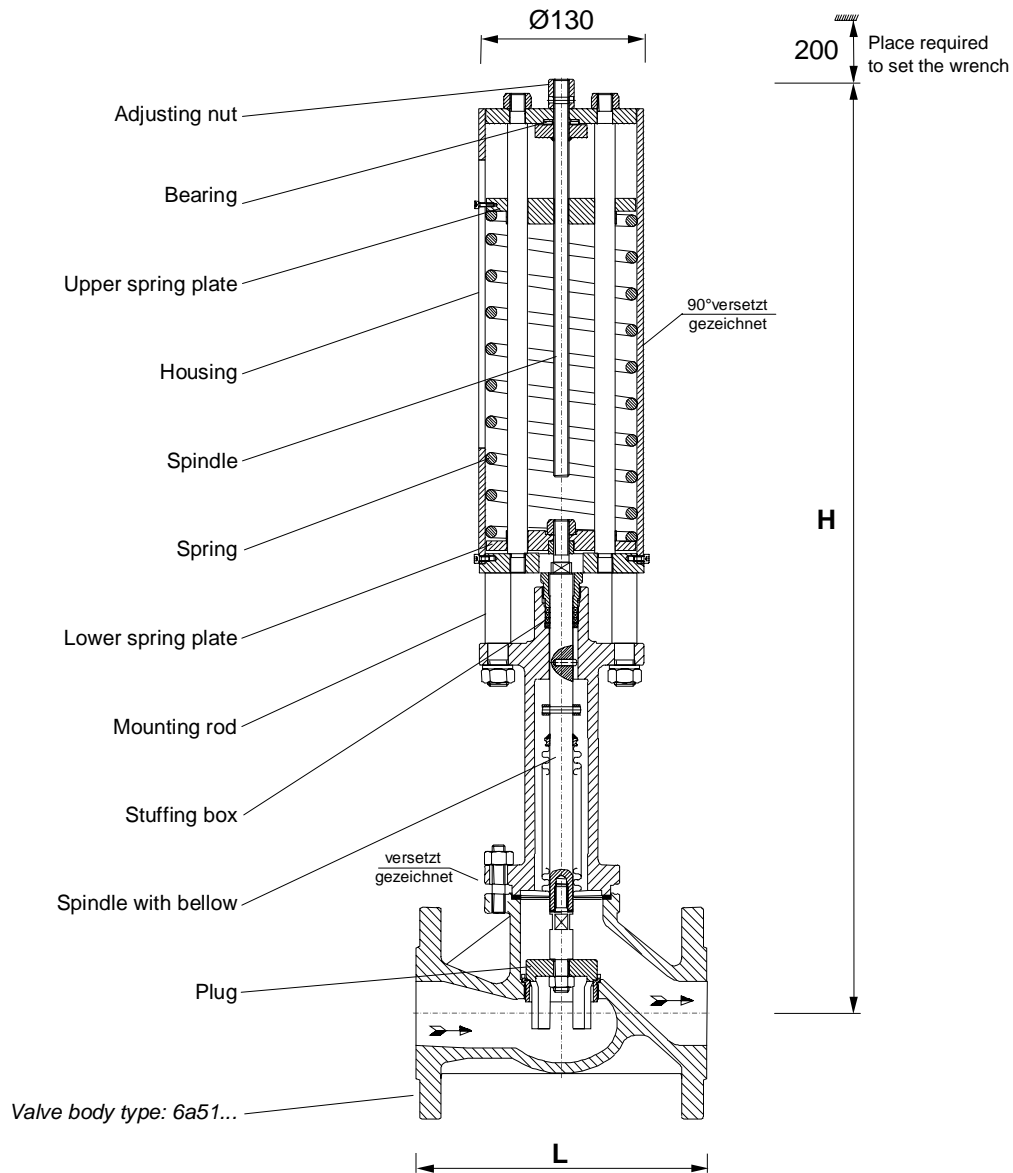
Overflow valve in two way form
EN-GJS-400-18-LT, PN . . . , DN . . . , Kvs . . .
Spindle sealing with bellow
Adjustable overflow pressure 1...4 bar
List-No. 651 . . .



Pressure-temperature rating acc. to DIN EN 1092-2:

by:		-10...50	100	150	200	250	300	350	°C
PN16	EN-GJS-400-18-LT	16	16	15,5	14,7	13,9	12,8	11,2	bar
PN25	EN-GJS-400-18-LT	25	25	24,3	23	21,8	20	17,5	bar

DN	List-No.		Kvs m³/h	Stroke mm
	PN 16	PN 25		
25	651 402	651 502	10	20
32	651 403	651 503	16	20
40	651 404	651 504	25	20
50	651 405	651 505	40	20
65	651 406	651 506	63	30
80	651 408	651 508	100	30



DN	25	32	40	50	65	80
Height H	721	728	732	735	920	921
Length L	160	180	200	230	290	310
Weight kg	15	17	18	21	37	40