

**Body:** EN-GJS-400-18-LT three way form  
for water and steam, as mixing valve  
(diverted purpose restricted, see page 038 990)  
Pressure range: PN16, PN25  
Immersion length acc. to DIN EN 558, basic series 1  
Flanges acc. to DIN EN 1092-2 type 21  
Spindle sealing: spring-loaded PTFE-V-ring unit  
for media temperatures up to 250°C  
Alternatively: graphite-packing  
for media temperatures up to 350°C  
Internal parts: stainless steel, replaceable seat rings  
Flow characteristic: linear  
Positioning ratio: : 30:1 (up to 50:1)  
Leakage: < 0,01% Kvs

**Electro-hydraulic actuator:** with emergency close function  
(straightway A-AB closed by power failure)  
and integrated manual emergency function  
Thrust: 2800 N  
Power input: DN15...50: 17VA  
                  DN65...100: 28VA  
Power supply: 230V/50...60Hz  
Alternatively: 24V AC (only with positioner 59sr)  
                  for input 0...10V or 4...20mA  
Protection class acc. to DIN EN 60529: IP54

**Function:**

In normal operation the electric pump generates pressure on the piston and moves the valve spindle (stroke) and simultaneously the return spring (preloading) downwards. In emergency (by power failure) the solenoid valve opens the pressure container and the return spring moves the piston and the valve spindle upwards and closes the straightway of the valve.

**Accessories, special types:**

Add. signal switches (59e)  
Feedback potentiometer (59f)  
Integrated positioner (59sr)  
Reduced Kvs- values (on request)  
Weld-on ends (on request)  
Flange drillings acc. to ANSI / JIS (on request)

**Order text:**

Electro-hydr. control valve in three way form with mixing plug  
EN-GJS-400-18-LT, PN . . . , DN . . . , Kvs . . .  
Spindle sealing with PTFE-V-ring unit  
Power supply . . . , with emergency close function, closing pressure . . . bar  
List-No.: PN16: 531 4 . . . , PN25: 531 5 . . .  
Accessories: . . .



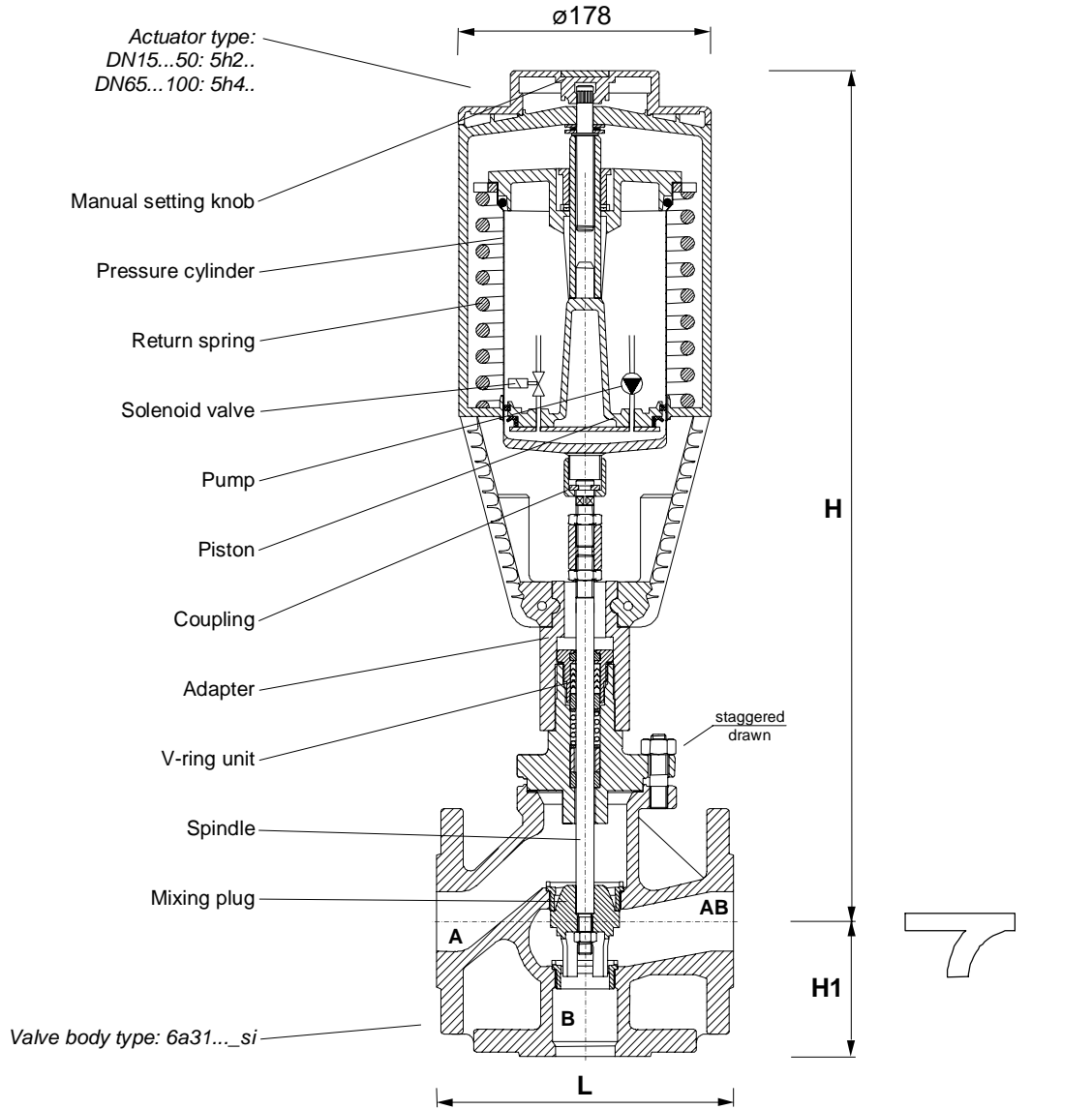
**Pressure-temperature ratings acc. to DIN EN 1092-2:**

by:		-10...50	100	150	200	250	300	350	°C*
PN16	EN-GJS-400-18-LT	16	16	15,5	14,7	13,9	12,8	11,2	bar
PN25	EN-GJS-400-18-LT	25	25	24,3	23	21,8	20	17,5	bar

\* = max. 250°C for spindle sealing with PTFE-V-ring unit

DN**	List-No.		Kvs m³/h	Stroke mm	Pos. time sec	Emergency close time		Closing pressure 2800N bar
	PN 16	PN 25				230V sec	24V+59sr sec	
15	531 400	531 500	4,0	20	120	10	10	25,0
20	531 401	531 501	6,3	20	120	10	10	25,0
25	531 402	531 502	10	20	120	10	10	25,0
32	531 403	531 503	16	20	120	10	10	25,0
40	531 404	531 504	25	20	120	10	10	16,5
50	531 405	531 505	40	20	120	10	10	10,4
65	531 406	531 506	63	30	90	18	20	5,7
80	531 408	531 508	100	30	90	18	20	3,5
100	531 410	531 510	160	30	90	18	20	2,1

\*\* = bigger DN on request



DN	15	20	25	32	40	50	65	80	100
Height H	555	569	563	570	575	578	621	622	629
Stud length H1	65	70	75	80	90	100	120	130	150
Length L	130	150	160	180	200	230	290	310	350
Weight kg	16	18	19	21	22	26	43	48	61

**Electrical wiring:**

