

**Body:** three way form

for heat transfer oil, as mixing valve  
(diverted purpose restricted, see page 038 990)  
Pressure range: body PN16, PN25, PN40  
                  bellow PN25

Immersion length acc. to DIN EN 558, basic series 1  
Flanges acc. to DIN EN 1092-1/2 type 21  
Spindle sealing: double wall bellow  
and safety stuffing box  
Internal parts: stainless steel, replaceable seat rings  
Flow characteristic: linear  
Positioning ratio: 30:1 (up to 50:1)  
Leakage: < 0,01% Kvs

**Actuator:** diaphragm area 250 cm<sup>2</sup>, ø250 mm

Control signal / closing pressure: see table  
Operating mode (reversible):  
"Spring closes straightway A-AB"  
Air connection: G1/4"  
Operating pressure: standard type: 1,6 bar  
                          other types: ...c: 3 bar, ...d: 6 bar

**Accessories, special types:**

I/P-Positioner, control signal 4...20 mA (see page 390 8)  
P/P-Positioner, control signal 0,2...1,0 bar (see page 390 3)  
Electro-pneum. transformer (see page 390 3)  
Solenoid valve for operating air (see page 393)  
Limit switches (see page 39e)  
Inductive limit switches (on request)  
Manual operating device (see page 39h)  
Other Kvs- values (on request)  
Weld-on ends (on request)  
Flange drillings acc. to ANSI / JIS (on request)



**Order text:**

Pneumatic control valve in three way form, with mixing plug  
Material . . . , PN . . . , DN . . . , Kvs . . .  
Spindle sealing with bellow  
Spring closes (opens) straightway A-AB  
Control signal . . . - . . . bar, closing pressure . . . bar  
List-No.: PN16: 361 4 . . . , PN25: 361 5 . . . , PN40(25): 361 6 . . . , PN40(25): 361 E . . . \_p2  
Accessories: . . .

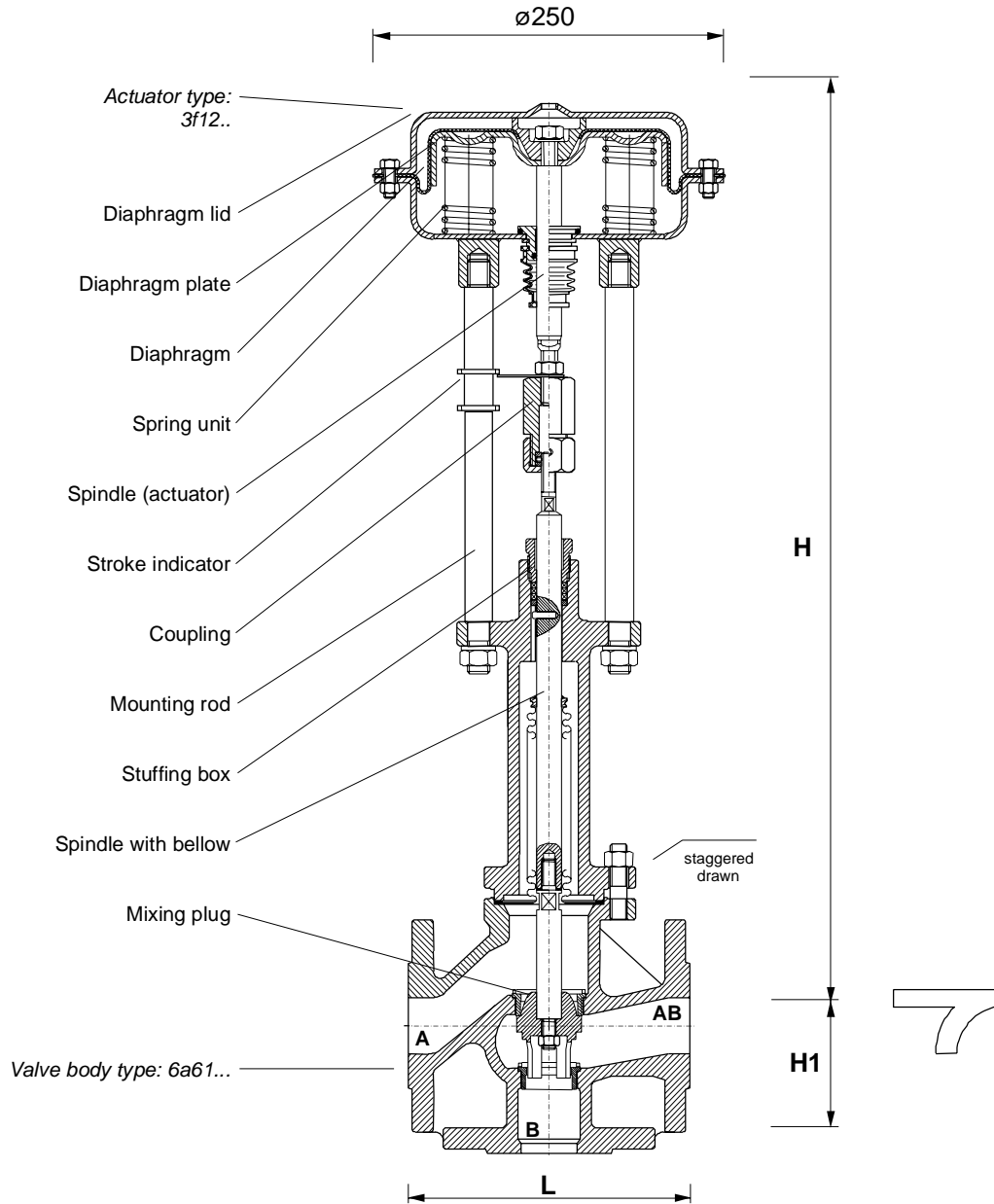
**Pressure-temperature ratings acc. to DIN EN 1092-1/2:**

by:	-10...50	100	150	200	250	300	350	400	450	°C
PN16 361 4 EN-GJS-400-18-LT	16	16	15,5	14,7	13,9	12,8	11,2	-	-	bar
PN25 361 5 EN-GJS-400-18-LT	25	25	24,3	23	21,8	20	17,5	-	-	bar
PN40(25)* 361 6 GP240GH+N	25	25	25	25	25	25	24	21	13,1	bar
PN40(25) 361 E GX5CrNiMo19-11-2	25	25	22,7	21	19,8	18,5	17,4	17,1	-	bar

\* = acc. to KFM norm

DN	List-No.				Kvs m <sup>3</sup> /h	Stroke mm	Closing pressure** (bar) for control signal...		
	PN16	PN25	PN40(25)	PN40(25)			0,4...1,2bar: standard	1,0...2,0bar: type ...c	2,0...4,0bar: type ...d
15	361 400.	361 500.	361 700.	361 E00._p2	4,0	20	17,9	25,0	
20	361 401.	361 501.	361 701.	361 E01._p2	6,3	20	17,9	25,0	
25	361 402.	361 502.	361 702.	361 E02._p2	10	20	11,1	25,0	
32	361 403.	361 503.	361 703.	361 E03._p2	16	20	6,3	22,8	25,0
40	361 404.	361 504.	361 704.	361 E04._p2	25	20	3,6	14,4	25,0
50	361 405.	361 505.	361 705.	361 E05._p2	40	20	1,9	8,9	20,7
65	361 406.	361 506.	361 706.	361 E06._p2	63	30	0,6	4,8	11,9
80	361 408.	361 508.	361 708.	361 E08._p2	100	30		3,0	7,7
100	361 410.	361 510.	361 710.	361 E10._p2	160	30		1,7	4,7
125	361 412.	361 512.			230	35		0,7	2,5
150	361 415.				330	38			1,6

\*\* = higher closing pressures and DN>200 on request, DN200: see page 361420Sg



DN	15	20	25	32	40	50	65	80	100	125	150
Height H	633	647	641	648	653	656	785	786	793	896	912
Stud length H1	65	70	75	80	90	100	120	130	150	200	210
Length L	130	150	160	180	200	230	290	310	350	400	480
Weight kg	18	19	20	23	24	28	46	50	64	118	140