

**Body:** three way form  
for heat transfer oil, as mixing valve  
(diverted purpose restricted, see page 038 990)  
Pressure range: body PN16, PN25, PN40  
                  bellow PN25  
Immersion length acc. to DIN EN 558, basic series 1  
Flanges acc. to DIN EN 1092-1/2 type 21  
Spindle sealing: double wall bellow  
and safety stuffing box  
Internal parts: stainless steel, replaceable seat rings  
Flow characteristic: linear  
Positioning ratio: 30:1 (up to 50:1)  
Leakage: < 0,01% Kvs

**Actuator:** with manual emergency operation  
and load dependent limit switches  
Thrust: 2000 N  
Power input: 12 VA  
Alternatively: 4000 N / 28 VA (appendix ...c)  
                  5500 N / 28 VA (appendix ...d)  
Power supply: 230V/50...60Hz  
Optionally: 115V/50...60Hz, 24V/50...60Hz, 24VDC  
Motor rating standard acc. to DIN EN 60034-1: S1 – 100%  
Protection class acc. to DIN EN 60529: IP65



**Accessories, special types:**  
Add. limit switches load dependent (see page 49e)  
Add. signal switches travel dependent (see page 49w)  
Feedback potentiometer (see page 49f)  
Integrated positioner (see page 49sr)  
Integrated process controller (see page 49r)  
Feedback signal 4-20mA / 0-10V  
Actuator heater (on request)  
Other positioning speed (on request)  
Reduced Kvs- values (on request)  
Weld-on ends (on request)  
Flange drillings acc. to ANSI / JIS (on request)

**Order text:**  
Motor control valve in three way form, with mixing plug  
Material . . . , PN . . . , DN . . . , Kvs . . .  
Spindle sealing with bellow  
Power supply . . . , closing pressure . . . bar  
List-No.: PN16: 461 4 . . . , PN25: 461 5 . . . , PN40(25): 461 6 . . . , PN40(25): 461 E . . . \_p2  
Accessories: . . .

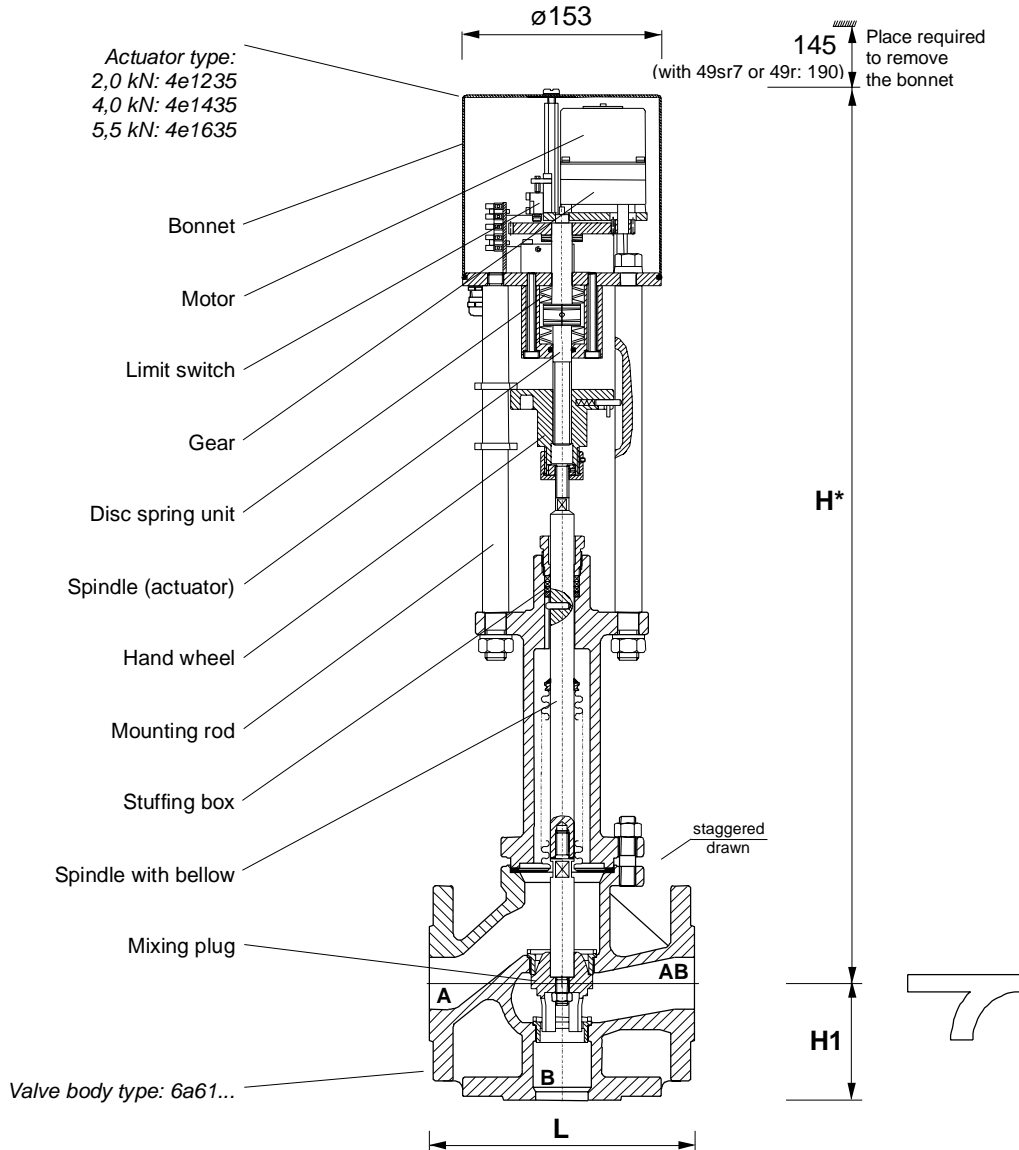
**Pressure-temperature ratings acc. to DIN EN 1092-1/2:**

by:		-10...50	100	150	200	250	300	350	400	450	°C	
PN16	461 4	EN-GJS-400-18-LT	16	16	15,5	14,7	13,9	12,8	11,2	-	-	bar
PN25	461 5	EN-GJS-400-18-LT	25	25	24,3	23	21,8	20	17,5	-	-	bar
PN40(25)*	461 6	GP240GH+N	25	25	25	25	25	24	21	13,1		bar
PN40(25)	461 E	GX5CrNiMo19-11-2	25	25	22,7	21	19,8	18,5	17,4	17,1		bar

\* = acc. to KFM norm

DN	List-No.				Kvs m³/h	Stroke mm	Pos. time sec	Closing pressure** (bar)		
	PN 16	PN 25	PN40(25)	PN40(25)				2000N	4000N	5500N
15	461 400	461 500	461 600	461 E00_p2	4	20	66	25,0		
20	461 401	461 501	461 601	461 E01_p2	6,3	20	66	25,0		
25	461 402	461 502	461 602	461 E02_p2	10	20	66	25,0		
32	461 403.	461 503.	461 603.	461 E03._p2	16	20	66	17,3	25,0	
40	461 404.	461 504.	461 604.	461 E04._p2	25	20	66	10,8	25,0	
50	461 405.	461 505.	461 605.	461 E05._p2	40	20	66	6,6	16,0	23,0
65	461 406.	461 506.	461 606.	461 E06._p2	63	30	99	3,4	9,1	13,3
80	461 408.	461 508.	461 608.	461 E08._p2	100	30	99	2,0	5,8	8,6
100	461 410.	461 510.	461 610.	461 E10._p2	160	30	99	1,1	3,5	5,4
125	461 412.	461 512.			230	35	116		2,1	3,3
150	461 415.				330	38	126		1,3	2,1

\*\* = higher closing pressures on request, DN200: see page 461420Hf/h/i/k, DN>200 on request



DN	15	20	25	32	40	50	65	80	100	125	150
Height H*	661	675	669	676	681	683	813	814	821	924	940
Stud length H1	65	70	75	80	90	100	120	130	150	200	210
Length L	130	150	160	180	200	230	290	310	350	400	480
Weight kg	16	17	18	21	22	25	44	48	62	116	137

\* = add. 45mm for actuators with positioner 49sr7 or controller 49r

