

Body: GGG-40.3, two way form,
for water and steam,
Pressure range: PN 16, PN 25,
Flanges acc. to DIN,
Spindle sealing: spring loaded PTFE-V-ring unit,
for media temperatures up to 250°C
alternatively: graphite-packing
Internal parts: stainless steel
Flow characteristic: equal percentage
Leakage: acc. to VDI/VDE 2174

Actuator: diaphragm area: 250 cm², Ø = 250 mm
Control signal / closing pressure: see table
Operating mode (reversible):
"Spring closes" (optional "spring opens")
Air connection: G 1/4",
Operating pressure: standard type: 1,6 bar,
another types: ...c: 3 bar, ...d: 6 bar

Accessories, special types:
Positioner (see page 390 5 and 390 8)
Electro.-pneum. transformer (see page 3903)
Limit switch (see page 39e)
Another kvs- values (on request)

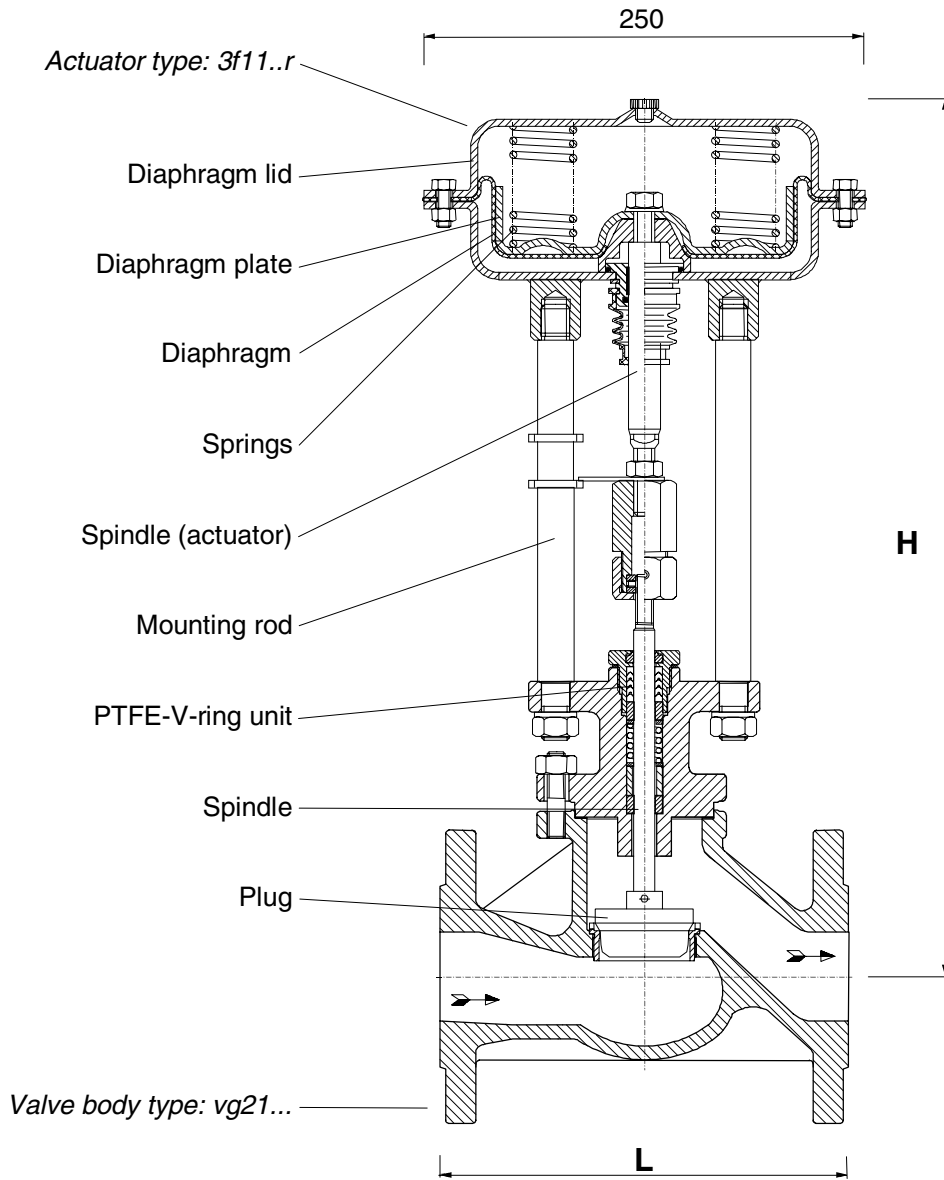


Order text:
Pneum. control valve PN . . , DN . . ,
in two way form with PTFE-V-ring unit,
spring closes / spring opens straight-way
control signal . . . - . . . bar, List No. 321 . . .

Max. operating pressure:

by:	120	200	250	°C
PN 16	16	13	13	bar
PN 25	25	20	18	bar

DN	List No.		Kvs m ³ /h	Stroke mm	Closing pressure (bar) for control signal...		
	PN 16	PN25			0,4...1,2bar: standard	1,0...2,0bar: type ...c	2,0...4,0bar: type ...d
15	321 400.	321 500.	4	20	16,2	25,0	
20	321 401.	321 501.	6,3	20	13,3	25,0	
25	321 402.	321 502.	10	20	11,1	25,0	
32	321 403.	321 503.	16	20	6,3	22,8	25,0
40	321 404.	321 504.	25	20	3,6	14,4	25,0
50	321 405.	321 505.	40	20	1,9	8,9	20,7
65	321 406.	321 506.	63	30	0,6	4,8	11,9
80	321 408.	321 508.	100	30		3,0	7,7
100	321 410.	321 510.	160	30		1,7	4,7



DN	15	20	25	32	40	50	65	80	100
Height H	460	474	468	474	480	482	525	526	533
Immersion length L	130	150	160	180	200	230	290	310	350
Weight kg	16	17	18	20	21	23	36	40	50