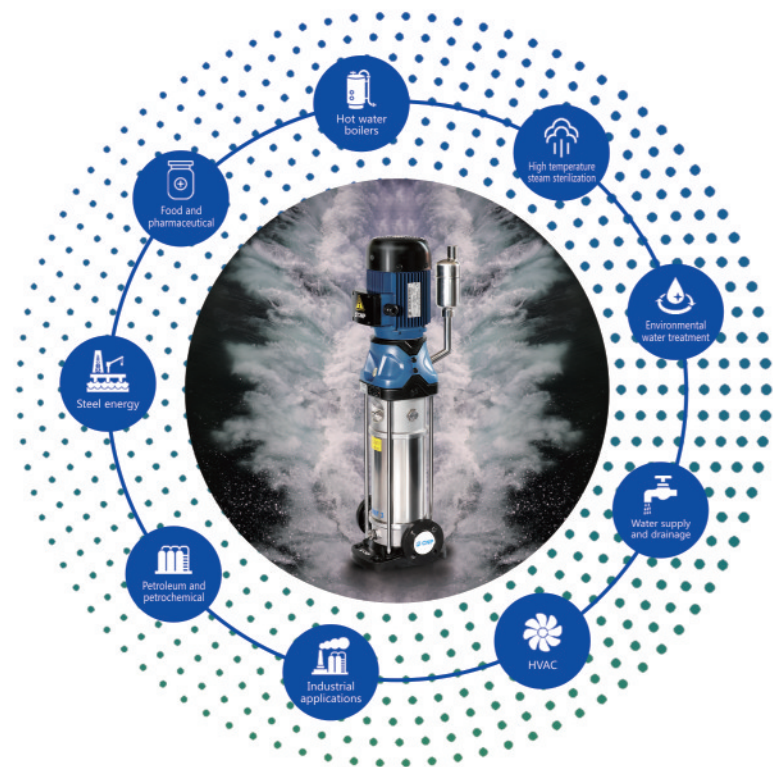


WIDE APPLICATION

Applied for hot water boilers, high temperature steam sterilization, environmental water treatment, water supply and drainage, HVAC, industrial applications, petroleum and petrochemical, steel energy, food and pharmaceutical, etc.



Nanfang Pump Industry Co.,Ltd (CNP),as a subsidiary of Nanfang Zhongjin Environment Co.,Ltd, was founded in 1991,and listed on Shenzhen Stock Exchange on December 9,2010 with stock code 300145.

In 2018, CNP's annual output exceeded 800,000 units/set with nearly 3 billion sales revenue, growing at a double-digit rate every year .

As a national enterprise technology center,CNP launched ultra-high efficient,new generation CDM (F) light vertical multistage centrifugal pump in 2017, MEI≥0.7.All light stainless steel pump product series grow stably. Intelligent water supply and drainage equipment technology take lead in industry.Fire pump and diesel engine have obtained UL certification. TD series in-line pump, NIS series end suction pump, NSC split casing pump, WQ sewage pump, metering pump, oil pump and other pump products, can meet various application needs of different fields.

CNP has a complete sales network both in domestic and overseas market , exporting to over 60 countries and regions,maintaining long-term and strong relationship with our clients.CNP pumps have been widely applied in various fields like water treatment, water supply and drainage, HVAC, industrial application, seawater desalination, energy and power etc.

CNP, a green water expert beside you.



CNP

Nanfang Pump Industry Co.,Ltd.

Address:Renhe Town, Hangzhou, China

Tel : +86-571 86397876

Fax: +86-571 86397809

E-mail: info@nanfang-pump.com

www.cnppump.com

High Temperature Type CDMF Light Vertical Multistage Centrifugal Pump



High Temperature Type CDMF Light Vertical Multistage Centrifugal Pump

www.cnppump.com
Please download complete catalog from website

CNP

Nanfang Pump
Industry Co.,Ltd.



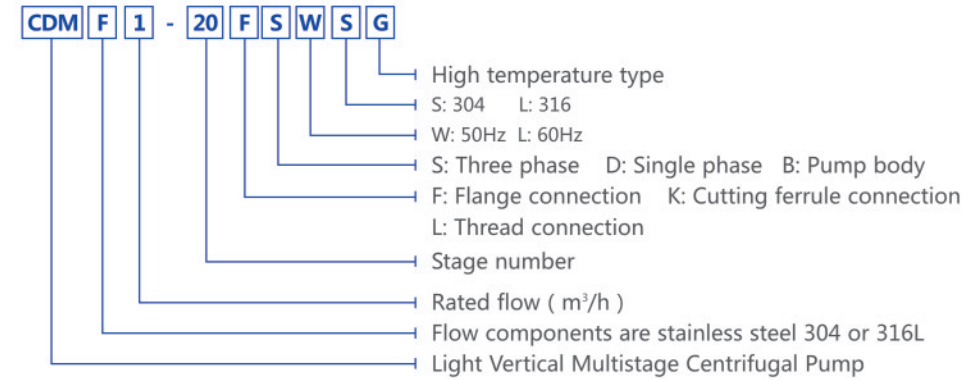
LEADING AND INDEPENDENT INNOVATION

Features

Based on the structure of CDMF light vertical multistage centrifugal pump, this product is equipped with a cooling device which is suitable for liquids with maximum +180 °C. When flowing through cooling device, the liquid can be cooled to +120 °C or even lower before reaching the shaft seal, effectively ensuring safe working temperature of the mechanical seal, while avoiding the impact of high temperature on the motor.

The product has the ultra-high performance of CDMF, MEI≥0.7. IE3 ultra-efficient motor makes it more efficient, energy-saving and environmental friendly.

Technical Data



Model definition

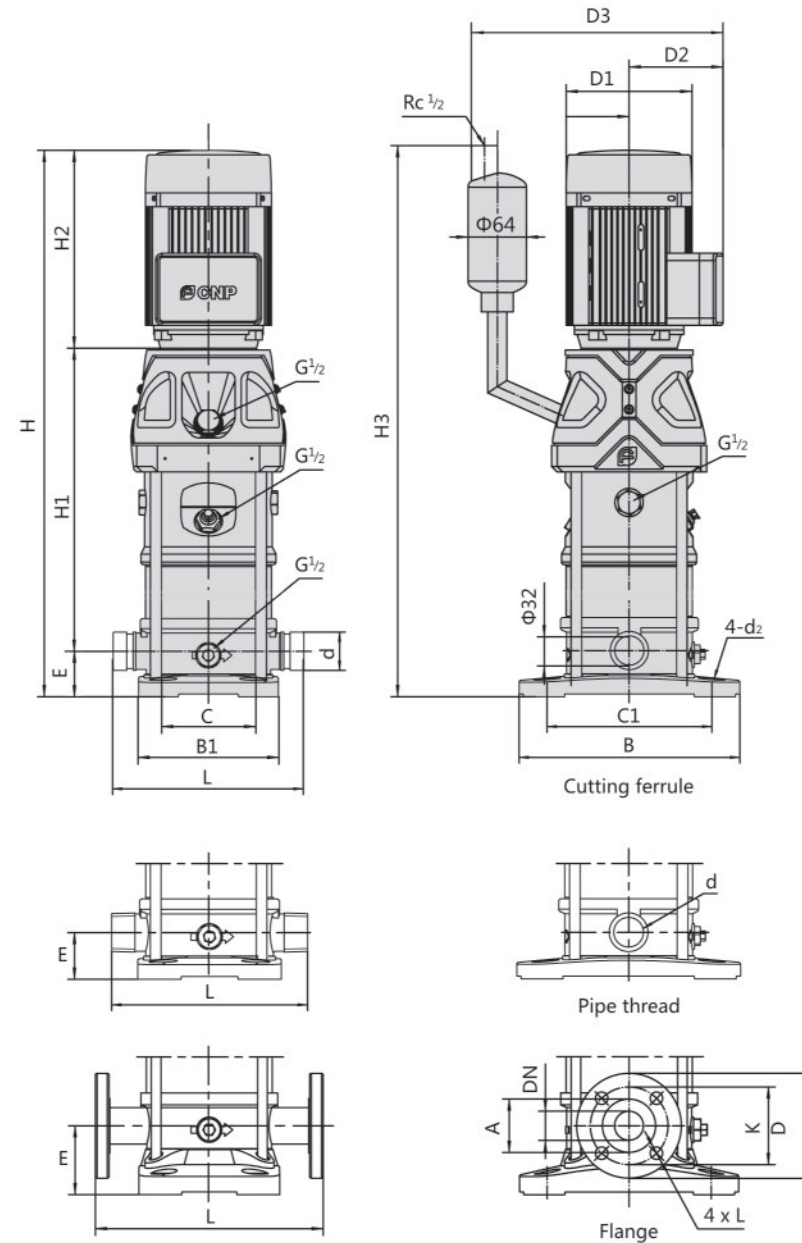
Flow: 0.5-8.5m³/h
 Head: 4-249m
 Max.working pressure (Inlet pressure + pump head): 25bar

Working conditions

Thin, clean, non-flammable, explosive, and free of particles, fibers, or liquids that are physically and chemically similar to water.
 Liquid temperature: -15°C-180°C
 Ambient temperature: up to +40°C
 Altitude: up to 1000m



Installation Dimension



Note: For the dimension of single-phase and explosion-proof motors, please contact us.

Dimension	Model	CDMF		
		1	3	5
Flange	DN	25	32	
	A	60		
	K	85	100	
	D	115	140	
	n×L	4×Φ14	4×Φ18	
	L	250		
	E	75		
	PN	25		
	d	42		
	L	210		
Cutting ferrule	E	50		
	d	R1¼		
	L	210		
Pipe thread	E	50		
	C	100		
	B1	154		
Foot	C1	180		
	B	240		
	d ₂	13		

Dimension Table

Model	Dimension(mm)					Weight(kg)		
	H1	H2	H3(Flange/Others)	H(Flange/Others)	D1	D2	D3	CDMF
1-2	292	215	582/557	582/557	148	117	297	26
1-3	312	215	602/577	602/577	148	117	297	26
1-4	332	215	622/597	622/597	148	117	297	27
1-5	352	215	642/617	642/617	148	117	297	27
1-6	372	215	662/637	662/637	148	117	297	28
1-7	392	215	682/657	682/657	148	117	297	28
1-8	412	215	702/677	702/677	148	117	297	30
1-9	432	215	722/697	722/697	148	117	297	30
1-10	452	215	742/717	742/717	148	117	297	31
1-11	472	215	762/737	762/737	148	117	297	31
1-12	502	245	822/797	782/757	170	142	322	34
1-13	522	245	842/817	802/777	170	142	322	34
1-15	562	245	882/857	842/817	170	142	322	35
1-17	602	245	922/897	882/857	170	142	322	38
1-19	642	245	962/937	922/897	170	142	322	39
1-21	682	245	1002/977	962/937	170	142	322	39
1-22	702	245	1022/997	982/957	170	142	322	40
1-23	732	290	1097/1072	1002/977	190	155	335	46
1-25	772	290	1137/1112	1042/1017	190	155	335	47
1-27	812	290	1177/1152	1082/1057	190	155	335	48
1-30	872	290	1237/1212	1142/1117	190	155	335	49
1-32	912	290	1277/1252	1182/1157	190	155	335	52
1-33	932	290	1297/1272	1202/1177	190	155	335	52
1-34	952	290	1317/1292	1222/1197	190	155	335	53
1-36	992	290	1357/1332	1262/1237	190	155	335	54
1-38	1032	290	1397/1372	1302/1277	190	155	335	54
1-40	1072	290	1437/1412	1342/1317	190	155	335	55
3-2	292	215	582/557	582/557	148	117	297	27
3-3	312	215	602/577	602/577	148	117	297	27
3-4	332	215	622/597	622/597	148	117	297	28
3-5	352	215	642/617	642/617	148	117	297	29
3-6	372	215	662/637	662/637	148	117	297	30
3-7	402	245	682/657	722/697	170	142	322	33
3-8	422	245	702/677	742/717	170	142	322	33
3-9	442	245	722/697	762/737	170	142	322	35
3-10	462	245	742/717	782/757	170	142	322	36
3-11	482	245	762/737	802/777	170	142	322	36
3-12	502	245	782/757	822/797	170	142	322	37
3-13	532	290	802/777	897/872	190	155	335	42
3-14	552	290	822/797	917/892	190	155	335	43
3-15	572	290	842/817	937/912	190	155	335	43

Model	Dimension(mm)					Weight(kg)		
	H1	H2	H3(Flange/Others)	H(Flange/Others)	D1	D2	D3	CDMF
3-16	592	290	862/837	957/932	190	155	335	44
3-18	632	290	902/877	997/972	190	155	335	46
3-19	652	290	922/897	1017/992	190	155	335	47
3-20	672	290	942/917	1037/1012	190	155	335	47
3-21	692	290	962/937	1057/1032	190	155	335	48
3-22	712	290	982/957	1077/1052	190	155	335	48
3-23	732	290	1002/977	1097/1072	190	155	335	49
3-24	752	290	1022/997	1117/1092	190	155	335	49
3-25	782	345	1057/1032	1202/1177	197	165	380	60
3-27	822	345	1097/1072	1242/1217	197	165	380	61
3-28	842	345	1117/1092	1262/1237	197	165	380	61
3-29	862	345	1137/1112	1282/1257	197	165	380	61
3-31	902	345	1177/1152	1322/1297	197	165	380	62
5-2	306	215	596/571	596/571	148	117	297	26
5-3	333	215	623/598	623/598	148	117	297	28
5-4	360	215	650/625	650/625	148	117	297	29
5-5	397	245	717/692	677/652	170	142	335	32
5-6	424	245	744/719	704/679	170	142	335	34
5-7	451	245	771/746	731/706	170	142	335	34
5-8	478	245	798/773	758/733	170	142	335	35
5-9	515	290	880/855	785/760	190	155	335	40
5-10	542	290	907/882	812/787	190	155	335	41
5-11	569	290	934/909	839/814	190	155	335	41
5-12	596	290	961/936	866/841	190	155	335	44
5-13	623	290	988/963	893/868	190	155	335	44
5-14	650	290	1015/990	920/895	190	155	335	45
5-15	677	290	1042/1017	947/922	190	155	335	45
5-16	704	290	1069/1044	974/949	190	155	335	46
5-17	741	345	1161/1136	1016/991	197	165	380	57
5-18	768	345	1188/1163	1043/1018	197	165	380	57
5-20	822	345	1242/1217	1097/1072	197	165	380	58
5-21	849	345	1269/1244	1124/1099	197	165	380	59
5-22	876	355	1306/1281	1151/1126	230	188	403	66
5-23	903	355	1333/1308	1178/1153	230	188	403	67
5-24	930	355	1360/1335	1205/1180	230	188	403	67
5-25	957	355	1387/1362	1232/1207	230	188	403	68
5-27	1011	355	1441/1416	1286/1261	230	188	403	69
5-28	1038	355	1468/1443	1313/1288	230	188	403	69
5-29	1140	390	1605/1580	1340/1315	260	208	423	89
5-30	1167	390	1632/1607	1367/1342	260	208	423	90
5-33	1248	390	1713/1688	1448/1423	260	208	423	91