

**Body:** GGG-40.3, two way form,  
for water and steam,  
Pressure range: PN 16, PN 25  
Flanges acc. to DIN,  
Spindle sealing: spring loaded PTFE-V-ring unit,  
for media temperatures up to 250°C  
alternatively: graphite packing  
Internal parts: stainless steel  
Flow characteristic: equal percentage  
Leakage: acc. to VDI/VDE 2174

**Actuator:** with integrated manual emergency operation  
and load dependent limit switches  
Thrust: 2000 N  
Power input: 10 VA  
alternatively: 4000 N / 20 VA (appendix ..c)  
5500 N / 20 VA (appendix ..d)  
Power supply: 230V /50...60Hz  
other voltages on request  
Protection class: IP65



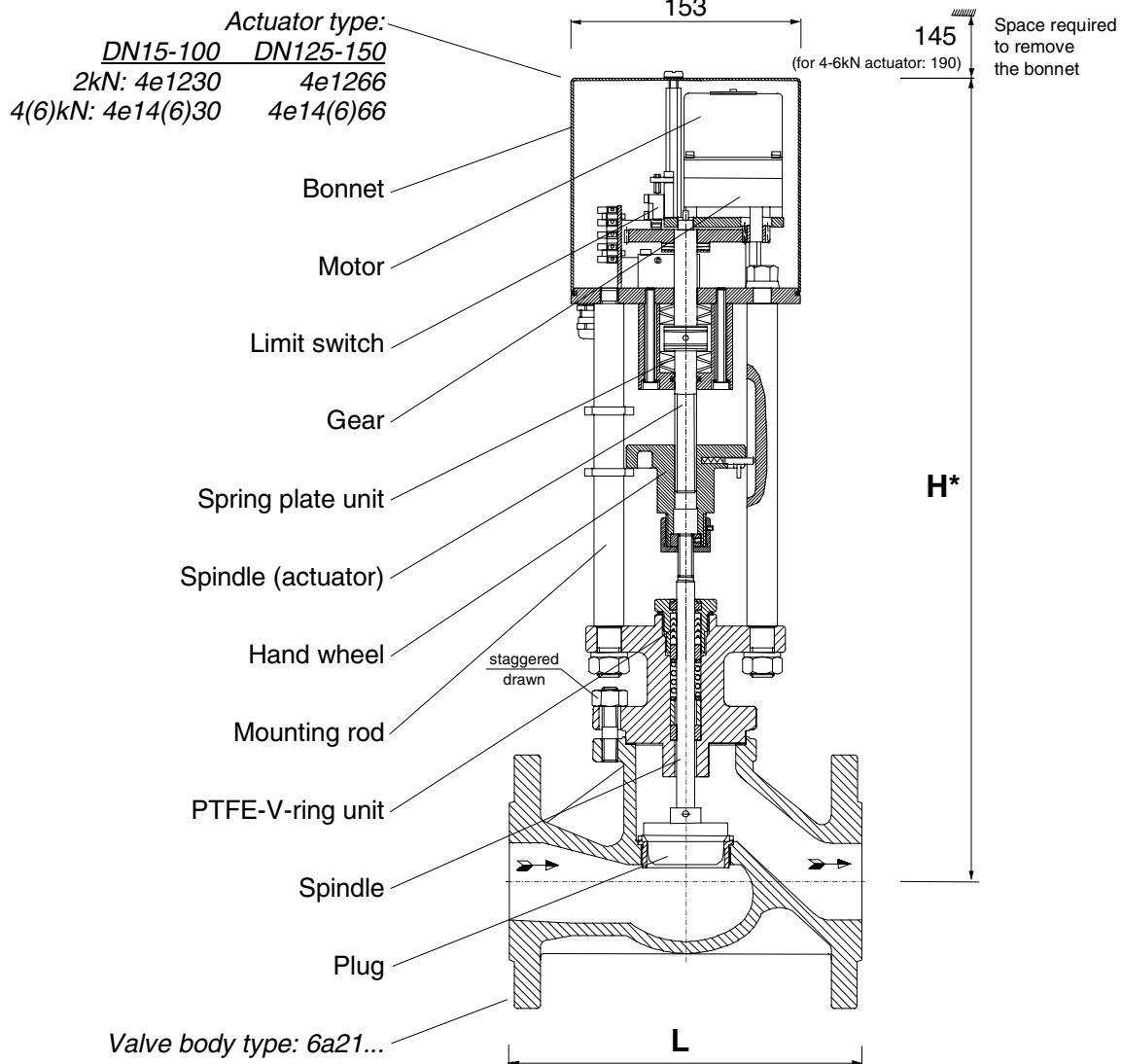
**Accessories, special types:**  
Add. signal switches (see page 49e, 49w)  
Feedback potentiometer (see page 49f)  
Integrated positioner (see page 49sr)  
Other voltages (on request)  
Other positioning speed (on request)  
Reduced kvs-values (on request)

**Order text:**  
Motor control valve PN . . , GGG-40.3, DN . .  
in two way form with PTFE-V-ring unit,  
Power supply . . . , List-No. 421 . . .

**Max. operating pressure:**

by:	120	200	250	°C
PN 16	16	13	13	bar
PN 25	25	20	18	bar

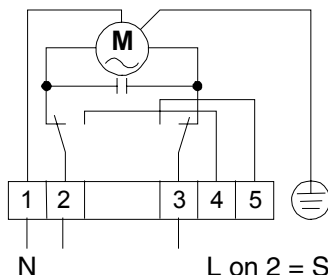
DN	List-No.		Kvs m³/h	Stroke mm	Pos. speed sec	Closing pressure (bar)		
	PN 16	PN 25				2000N	4000N	5500N
15	421 400	421 500	4,0	20	66	25,0		
20	421 401	421 501	6,3	20	66	25,0		
25	421 402	421 502	10	20	66	25,0		
32	421 403	421 503	16	20	66	17,3	25,0	
40	421 404	421 504	25	20	66	10,8	25,0	
50	421 405	421 505	40	20	66	6,6	16,0	23,0
65	421 406	421 506	63	30	100	3,4	9,1	13,3
80	421 408	421 508	100	30	100	2,0	5,8	8,6
100	421 410	421 510	160	30	100	1,1	3,5	5,4
125	421 412	421 512	230	60	200	0,5	2,1	3,3
150	421 415	421 515	330	60	200		1,3	2,1



DN	15	20	25	32	40	50	65	80	100	125	150
Height H *	491	505	499	505	511	513	556	557	564	760	775
Length L	130	150	160	180	200	230	290	310	350	400	480
Weight kg	13	14	15	17	18	20	33	37	47	100	110

\* = add. 45mm for 4-6 kN actuator

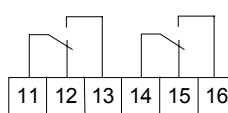
**Electrical wiring:**



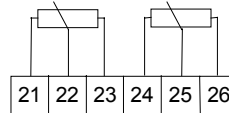
L on 2 = Straightway closes  
 L on 3 = Straightway opens

**Accessories (optionally):**

Limit switch  
 load dependent  
 for valve position  
 CLOSE    OPEN



Potentiometer



Signal switch  
 travel dependent



**Body:** GGG-40.3, two way form,  
for water and steam,  
Pressure range: PN 16, PN 25,  
Flanges acc. to DIN,  
Spindle sealing: spring loaded PTFE-V-ring unit,  
for media temperatures up to 250°C  
alternatively: graphite-packing  
Internal parts: stainless steel  
Flow characteristic: equal percentage  
Leakage: acc. to VDI/VDE 2174

**Actuator:** diaphragm area: 250 cm<sup>2</sup>, Ø = 250 mm  
Control signal / closing pressure: see table  
Operating mode (reversible):  
"Spring closes" (optional "spring opens")  
Air connection: G 1/4",  
Operating pressure: standard type: 1,6 bar,  
another types: ...c: 3 bar, ...d: 6 bar

**Accessories, special types:**  
Positioner (see page 390 5 and 390 8)  
Electro.-pneum. transformer (see page 3903)  
Limit switch (see page 39e)  
Another kvs- values (on request)

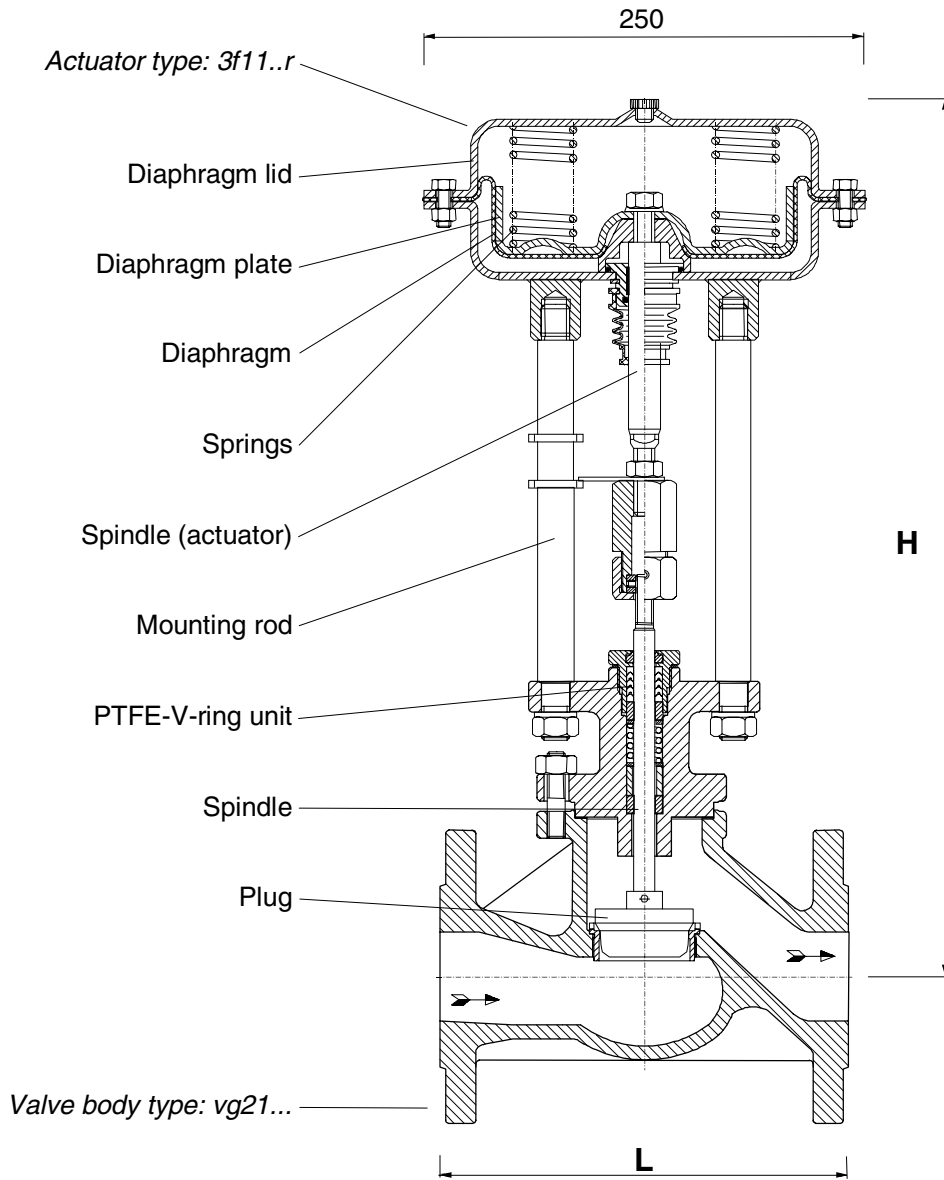


**Order text:**  
Pneum. control valve PN . . , DN . . ,  
in two way form with PTFE-V-ring unit,  
spring closes / spring opens straight-way  
control signal . . . - . . . bar, List No. 321 . . .

**Max. operating pressure:**

by:	120	200	250	°C
PN 16	16	13	13	bar
PN 25	25	20	18	bar

DN	List No.		Kvs m <sup>3</sup> /h	Stroke mm	Closing pressure (bar) for control signal...		
	PN 16	PN25			0,4...1,2bar: standard	1,0...2,0bar: type ...c	2,0...4,0bar: type ...d
15	321 400.	321 500.	4	20	16,2	25,0	
20	321 401.	321 501.	6,3	20	13,3	25,0	
25	321 402.	321 502.	10	20	11,1	25,0	
32	321 403.	321 503.	16	20	6,3	22,8	25,0
40	321 404.	321 504.	25	20	3,6	14,4	25,0
50	321 405.	321 505.	40	20	1,9	8,9	20,7
65	321 406.	321 506.	63	30	0,6	4,8	11,9
80	321 408.	321 508.	100	30		3,0	7,7
100	321 410.	321 510.	160	30		1,7	4,7



<b>DN</b>	<b>15</b>	<b>20</b>	<b>25</b>	<b>32</b>	<b>40</b>	<b>50</b>	<b>65</b>	<b>80</b>	<b>100</b>
Height H	460	474	468	474	480	482	525	526	533
Immersion length L	130	150	160	180	200	230	290	310	350
Weight kg	16	17	18	20	21	23	36	40	50

**Body:** three way form

for water and steam, as mixing valve  
(diverted purpose restricted, see page 038 990)  
Pressure range: PN16, PN25, PN40  
Immersion length acc. to DIN EN 558, basic series 1  
Flanges acc. to DIN EN 1092-1/2 type 21  
Spindle sealing: spring-loaded PTFE-V-ring unit  
for media temperatures up to 250°C  
Alternatively: graphite-packing  
for media temperatures up to 450°C  
Internal parts: stainless steel, replaceable seat rings  
Flow characteristic: linear  
Positioning ratio: 30:1 (up to 50:1)  
Leakage: < 0,01% Kvs

**Actuator:** with manual emergency operation  
and load dependent limit switches

Thrust: 2000 N  
Power input: 12 VA  
Alternatively: 4000 N / 28 VA (appendix ...c)  
5500 N / 28 VA (appendix ...d)  
Power supply: 230V/50...60Hz  
Optionally: 115V/50...60Hz, 24V/50...60Hz, 24VDC  
Motor rating standard acc. to DIN EN 60034-1: S1 – 100%  
Protection class acc. to DIN EN 60529: IP65

**Accessories, special types:**

Add. limit switches load dependent (see page 49e)  
Add. signal switches travel dependent (see page 49w)  
Feedback potentiometer (see page 49f)  
Integrated positioner (see page 49sr)  
Integrated process controller (see page 49r)  
Feedback signal 4-20mA / 0-10V  
Actuator heater (on request)  
Other positioning speed (on request)  
Reduced Kvs- values (on request)  
Weld-on ends (on request)  
Flange drillings acc. to ANSI / JIS (on request)

**Order text:**

Motor control valve in three way form, with mixing plug  
Material . . . , PN . . . , DN . . . , Kvs . . .  
Spindle sealing with PTFE-V-ring unit  
Power supply . . . , closing pressure . . . bar  
List-No.: PN16: 431 4 . . . , PN25: 431 5 . . . , PN40: 431 7 . . . , PN40: 431 E . . .  
Accessories: . . .



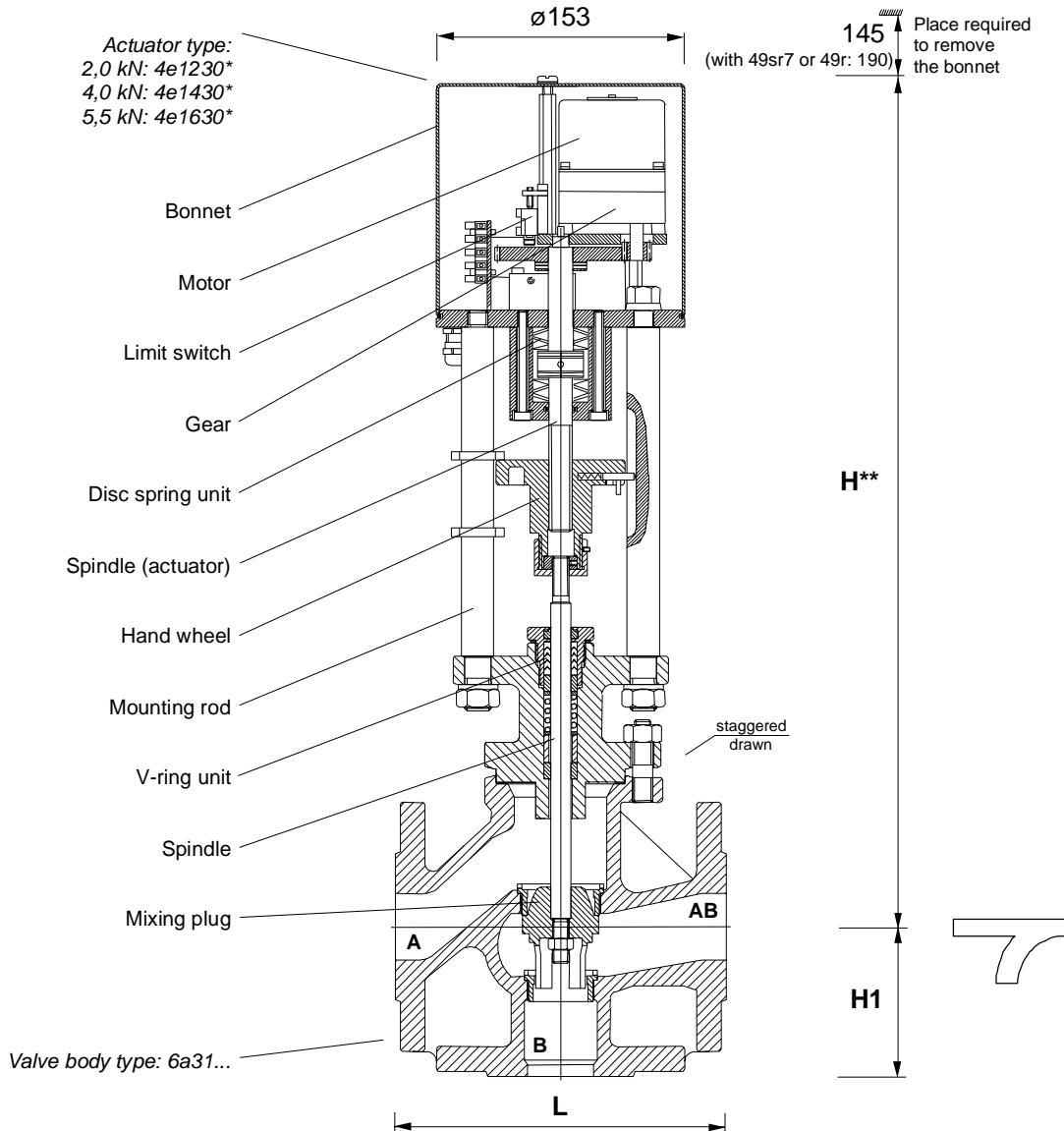
**Pressure-temperature ratings acc. to DIN EN 1092-1/2:**

by:	-10...50	100	150	200	250	300	350	400	450	°C*
PN16 431 4 EN-GJS-400-18-LT	16	16	15,5	14,7	13,9	12,8	11,2	-	-	bar
PN25 431 5 EN-GJS-400-18-LT	25	25	24,3	23	21,8	20	17,5	-	-	bar
PN40 431 7 GP240GH+N	40	37,3	34,7	30,2	28,4	25,8	24	23,1	13,2	bar
PN40 431 E GX5CrNiMo19-11-2	40	37,3	33,8	31,1	29,3	27,6	26,7	25,6	-	bar

\* = max. 250°C for spindle sealing with PTFE-V-ring unit

DN	List-No.				Kvs m³/h	Stroke mm	Pos. time sec	Closing pressure** (bar)		
	PN 16	PN 25	PN40	PN40				2000N	4000N	5500N
15	431 400	431 500	431 700	431 E00	4	20	66	40,0		
20	431 401	431 501	431 701	431 E01	6,3	20	66	40,0		
25	431 402	431 502	431 702	431 E02	10	20	66	28,5	40,0	
32	431 403	431 503	431 703	431 E03	16	20	66	17,3	39,3	40,0
40	431 404	431 504	431 704	431 E04	25	20	66	10,8	25,2	36,0
50	431 405	431 505	431 705	431 E05	40	20	66	6,6	16,0	23,0
65	431 406	431 506	431 706	431 E06	63	30	99	3,4	9,1	13,3
80	431 408	431 508	431 708	431 E08	100	30	99	2,0	5,8	8,6
100	431 410	431 510	431 710	431 E10	160	30	99	1,1	3,5	5,4
125	431 412	431 512			230	35	116		2,1	3,3
150	431 415	431 515			330	38	126		1,3	2,1

\*\* = higher closing pressures see page 4314/5He/f/h, DN200 see page 4314/520Hf/h, bigger DN on request

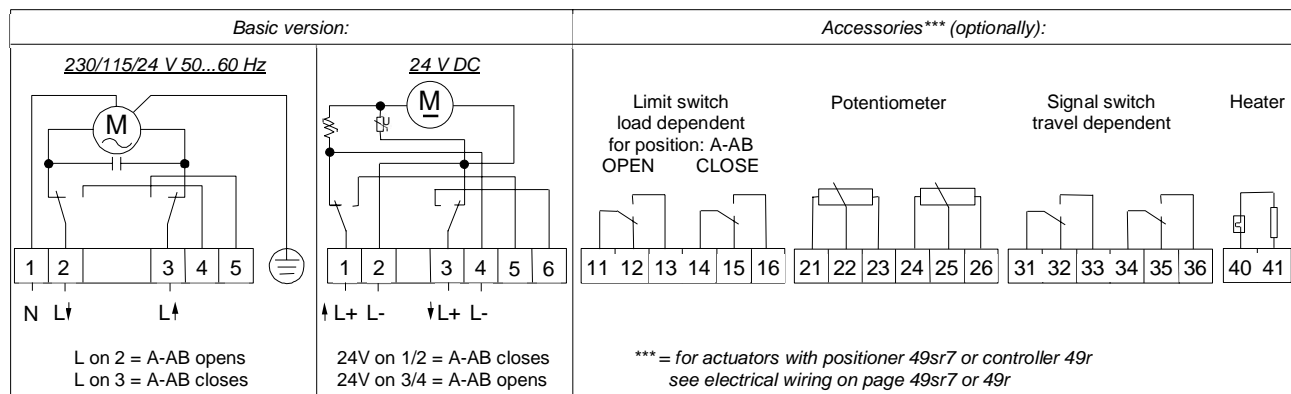


DN	15	20	25	32	40	50	65	80	100	125	150
Height H**	491	505	499	506	511	513	556	557	564	720	735
Stud length H1	65	70	75	80	90	100	120	130	150	200	210
Length L	130	150	160	180	200	230	290	310	350	400	480
Weight kg	15	16	17	20	21	24	40	45	58	113	134

\* = only for DN 15-100; actuators for DN 125-150: 4e1435 (4kN) and 4e1635 (5,5kN)

\*\* = add. 45mm for actuators with positioner 49sr7 or controller 49r

**Electrical wiring:**



**Body:** three way form

for water and steam, as mixing valve  
(diverted purpose restricted, see page 038 990)  
Pressure range: PN16, PN25, PN40  
Immersion length acc. to DIN EN 558, basic series 1  
Flanges acc. to DIN EN 1092-1/2 type 21  
Spindle sealing: spring-loaded PTFE-V-ring unit  
for media temperatures up to 250°C  
Alternatively: graphite-packing  
for media temperatures up to 450°C  
Internal parts: stainless steel, replaceable seat rings  
Flow characteristic: linear  
Positioning ratio: 30:1 (up to 50:1)  
Leakage: < 0,01% Kvs

**Actuator:** diaphragm area 250 cm<sup>2</sup>, ø250 mm  
Control signal / closing pressure: see table  
Operating mode (reversible):  
"Spring closes straightway A-AB"  
Air connection: G1/4"  
Operating pressure: standard type: 1,6 bar  
                          other types: ...c: 3 bar, ...d: 6 bar

**Accessories, special types:**

I/P-Positioner, control signal 4...20 mA (see page 390 8)  
P/P-Positioner, control signal 0,2...1,0 bar (see page 390 3)  
Electro-pneum. transformer (see page 390 3)  
Solenoid valve for operating air (see page 393)  
Limit switches (see page 39e)  
Inductive limit switches (on request)  
Manual operating device (see page 39h)  
Other Kvs- values (on request)  
Weld-on ends (on request)  
Flange drillings acc. to ANSI / JIS (on request)

**Order text:**

Pneumatic control valve in three way form, with mixing plug  
Material . . . , PN . . . , DN . . . , Kvs . . .  
Spindle sealing with PTFE-V-ring unit  
Spring closes (opens) straightway A-AB  
Control signal . . . - . . . bar, closing pressure . . . bar  
List-No.: PN16: 331 4 . . . , PN25: 331 5 . . . , PN40: 331 7 . . . , PN40: 331 E . .  
Accessories: . . .



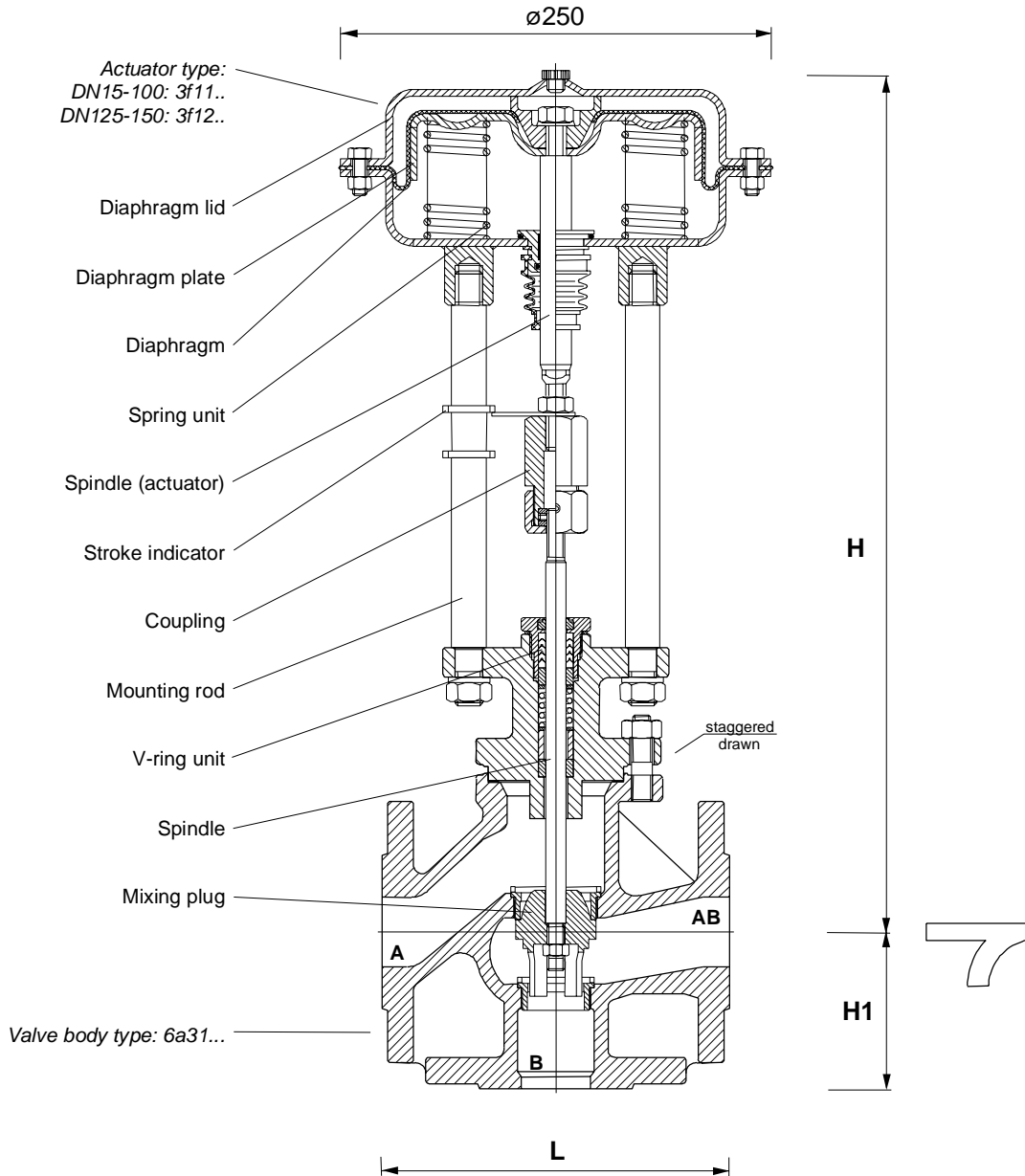
**Pressure-temperature ratings acc. to DIN EN 1092-1/2:**

by:	-10...50	100	150	200	250	300	350	400	450	°C*
PN16 331 4 EN-GJS-400-18-LT	16	16	15,5	14,7	13,9	12,8	11,2	-	-	bar
PN25 331 5 EN-GJS-400-18-LT	25	25	24,3	23	21,8	20	17,5	-	-	bar
PN40 331 7 GP240GH+N	40	37,3	34,7	30,2	28,4	25,8	24	23,1	13,2	bar
PN40 331 E GX5CrNiMo19-11-2	40	37,3	33,8	31,1	29,3	27,6	26,7	25,6	-	bar

\* = max. 250°C for spindle sealing with PTFE-V-ring unit

DN	List-No.				Kvs m <sup>3</sup> /h	Stroke mm	Closing pressure** (bar) for control signal...		
	PN16	PN25	PN40	PN40			0,4...1,2bar: standard	1,0...2,0bar: type ...c	2,0...4,0bar: type ...d
15	331 400.	331 500.	331 700.	331 E00.	4,0	20	17,9	40,0	
20	331 401.	331 501.	331 701.	331 E01.	6,3	20	17,9	40,0	
25	331 402.	331 502.	331 702.	331 E02.	10	20	11,1	37,3	40,0
32	331 403.	331 503.	331 703.	331 E03.	16	20	6,3	22,8	40,0
40	331 404.	331 504.	331 704.	331 E04.	25	20	3,6	14,4	32,4
50	331 405.	331 505.	331 705.	331 E05.	40	20	1,9	8,9	20,7
65	331 406.	331 506.	331 706.	331 E06.	63	30	0,6	4,8	11,9
80	331 408.	331 508.	331 708.	331 E08.	100	30		3,0	7,7
100	331 410.	331 510.	331 710.	331 E10.	160	30		1,7	4,7
125	331 412.	331 512.			230	35		0,7	2,5
150	331 415.	331 515.			330	38			1,6

\*\* = higher closing pressures and DN>200 on request, DN200: see page 3314/520Sg



DN	15	20	25	32	40	50	65	80	100	125	150
Height H	458	472	466	473	480	483	525	526	533	685	700
Stud length H1	65	70	75	80	90	100	120	130	150	200	210
Length L	130	150	160	180	200	230	290	310	350	400	480
Weight kg	17	18	19	22	23	26	42	47	61	115	137



**Body:** two way form, for heat transfer oil  
 Pressure range: body PN16, PN25, PN40  
                   bellow PN25  
 Immersion length acc. to DIN EN 558, basic series 1  
 Flanges acc. to DIN EN 1092-1/2 type 21  
 Spindle sealing: double wall bellow  
 and safety stuffing box  
 Internal parts: stainless steel, replaceable seat rings  
 Flow characteristic: equal percentage (partially modified)  
 Positioning ratio: 30:1 (up to 50:1)  
 Leakage: < 0,01% Kvs

**Actuator:** with manual emergency operation  
 and load dependent limit switches  
 Thrust: 2000 N  
 Power input: 12 VA  
 Alternatively: 4000 N / 28 VA (appendix ...c)  
                   5500 N / 28 VA (appendix ...d)  
 Power supply: 230V/50...60Hz  
 Optionally: 115V/50...60Hz, 24V/50...60Hz, 24VDC  
 Motor rating standard acc. to DIN EN 60034-1: S1 – 100%  
 Protection class acc. to DIN EN 60529: IP65

**Accessories, special types:**  
 Add. limit switches load dependent (see page 49e)  
 Add. signal switches travel dependent (see page 49w)  
 Feedback potentiometer (see page 49f)  
 Integrated positioner (see page 49sr)  
 Integrated process controller (see page 49r)  
 Feedback signal 4-20mA / 0-10V  
 Actuator heater (on request)  
 Other positioning speed (on request)  
 Reduced Kvs- values (on request)  
 Weld-on ends (on request)  
 Flange drillings acc. to ANSI / JIS (on request)

**Order text:**  
 Motor control valve in two way form  
 Material . . . , PN . . . , DN . . . , Kvs . . .  
 Spindle sealing with bellow  
 Power supply . . . , closing pressure . . . bar  
 List-No.: PN16: 451 4 . . . , PN25: 451 5 . . . , PN40(25): 451 6 . . . , PN40(25): 451 E . . . \_p2  
 Accessories: . . .



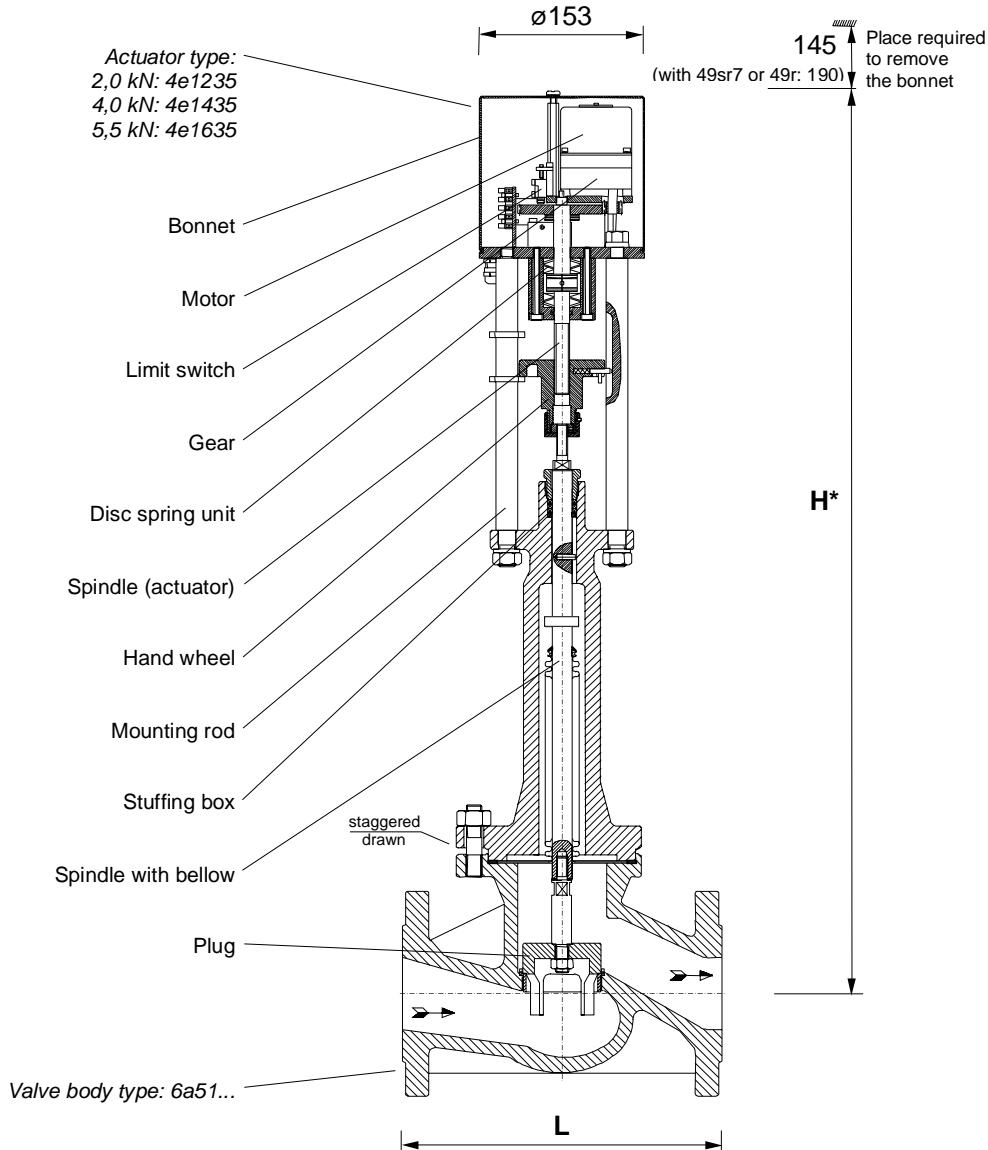
**Pressure-temperature ratings acc. to DIN EN 1092-2:**

by:		-10...50	100	150	200	250	300	350	400	450	°C*	
PN16	451 4	EN-GJS-400-18-LT	16	16	15,5	14,7	13,9	12,8	11,2	-	-	bar
PN25	451 5	EN-GJS-400-18-LT	25	25	24,3	23	21,8	20	17,5	-	-	bar
PN40(25)*	451 6	GP240GH+N	25	25	25	25	25	25	24	21	13,1	bar
PN40(25)	451 E	GX5CrNiMo19-11-2	25	25	22,7	21	19,8	18,5	17,4	17,1	-	bar

\* = acc. to KFM norm

DN	List-No.				Kvs m³/h	Stroke mm	Pos. time sec	Closing pressure** (bar)		
	PN 16	PN 25	PN40(25)	PN40(25)				2000N	4000N	5500N
15	451 400	451 500	451 600	451 E00_p2	4	20	66	25,0		
20	451 401	451 501	451 601	451 E01_p2	6,3	20	66	25,0		
25	451 402	451 502	451 602	451 E02_p2	10	20	66	25,0		
32	451 403.	451 503.	451 603.	451 E03._p2	16	20	66	17,3	25,0	
40	451 404.	451 504.	451 604.	451 E04._p2	25	20	66	10,8	25,0	
50	451 405.	451 505.	451 605.	451 E05._p2	40	20	66	6,6	16,0	23,0
65	451 406.	451 506.	451 606.	451 E06._p2	63	30	99	3,4	9,1	13,3
80	451 408.	451 508.	451 608.	451 E08._p2	100	30	99	2,0	5,8	8,6
100	451 410.	451 510.	451 610.	451 E10._p2	160	30	99	1,1	3,5	5,4
125	451 412.	451 512.			230	40	132		2,1	3,3
150	451 415.				330	40	132		1,3	2,1

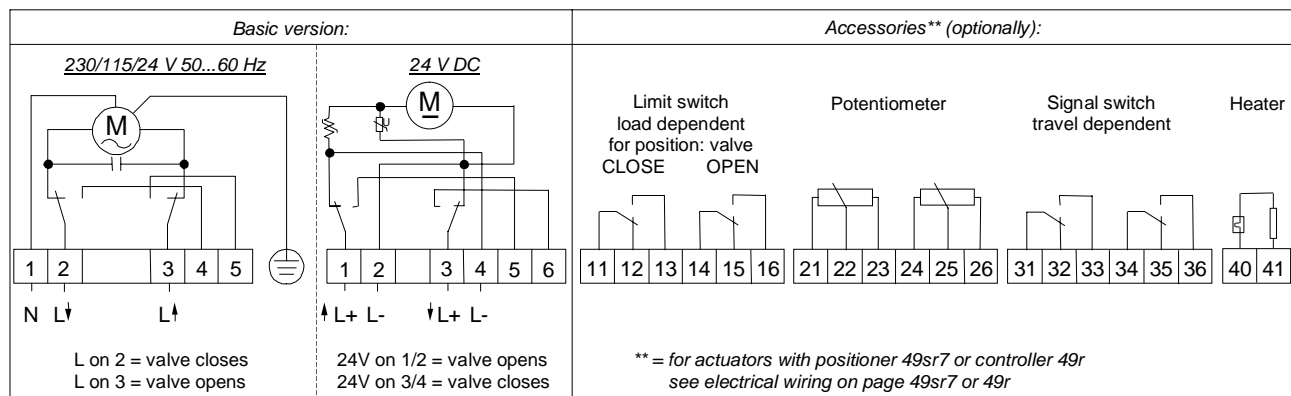
\*\* = higher closing pressures see page 451He/f/h, DN200: see page 451420Hf/h/i/k, DN>200 on request



DN	15	20	25	32	40	50	65	80	100	125	150
Height H*	661	675	669	676	681	683	813	814	821	924	940
Length L	130	150	160	180	200	230	290	310	350	400	480
Weight kg	17	18	19	20	22	24	43	47	57	104	124

\* = add. 45mm for actuators with positioner 49sr7 or controller 49r

### Electrical wiring:



**Body:** two way form, for heat transfer oil  
 Pressure range: body PN16, PN25, PN40  
                   bellow PN25  
 Immersion length acc. to DIN EN 558, basic series 1  
 Flanges acc. to DIN EN 1092-1/2 type 21  
 Spindle sealing: double wall bellow  
 and safety stuffing box  
 Internal parts: stainless steel, replaceable seat rings  
 Flow characteristic: equal percentage (partially modified)  
 Positioning ratio: 30:1 (up to 50:1)  
 Leakage: < 0,01% Kvs

**Actuator:** diaphragm area 250 cm<sup>2</sup>, ø250 mm  
 Control signal / closing pressure: see table  
 Operating mode (reversible):  
 "Spring closes straightway "  
 Air connection: G1/4"  
 Operating pressure: standard type: 1,6 bar  
                           other types: ...c: 2,4 bar, ...d: 4,4 bar

**Accessories, special types:**  
 I/P-Positioner, control signal 4...20 mA (see page 390 8)  
 P/P-Positioner, control signal 0,2...1,0 bar (see page 390 5)  
 Electro-pneum. transformer (see page 390 3)  
 Solenoid valve for operating air (see page 393)  
 Limit switches (see page 39e)  
 Inductive limit switches (on request)  
 Manual operating device (see page 39h)  
 Reduced Kvs- values (on request)  
 Weld-on ends (on request)  
 Flange drillings acc. to ANSI / JIS (on request)



**Order text:**

Pneumatic control valve in two way form  
 Material . . . , PN . . , DN . . , Kvs . . .  
 Spindle sealing with bellow  
 Spring closes (opens) straightway  
 Control signal . . . - . . . bar, closing pressure . . . bar  
 List-No.: PN16: 351 4 . . , PN25: 351 5 . . , PN40(25): 351 6 . . , PN40(25): 351 E . . \_p2  
 Accessories: . . .

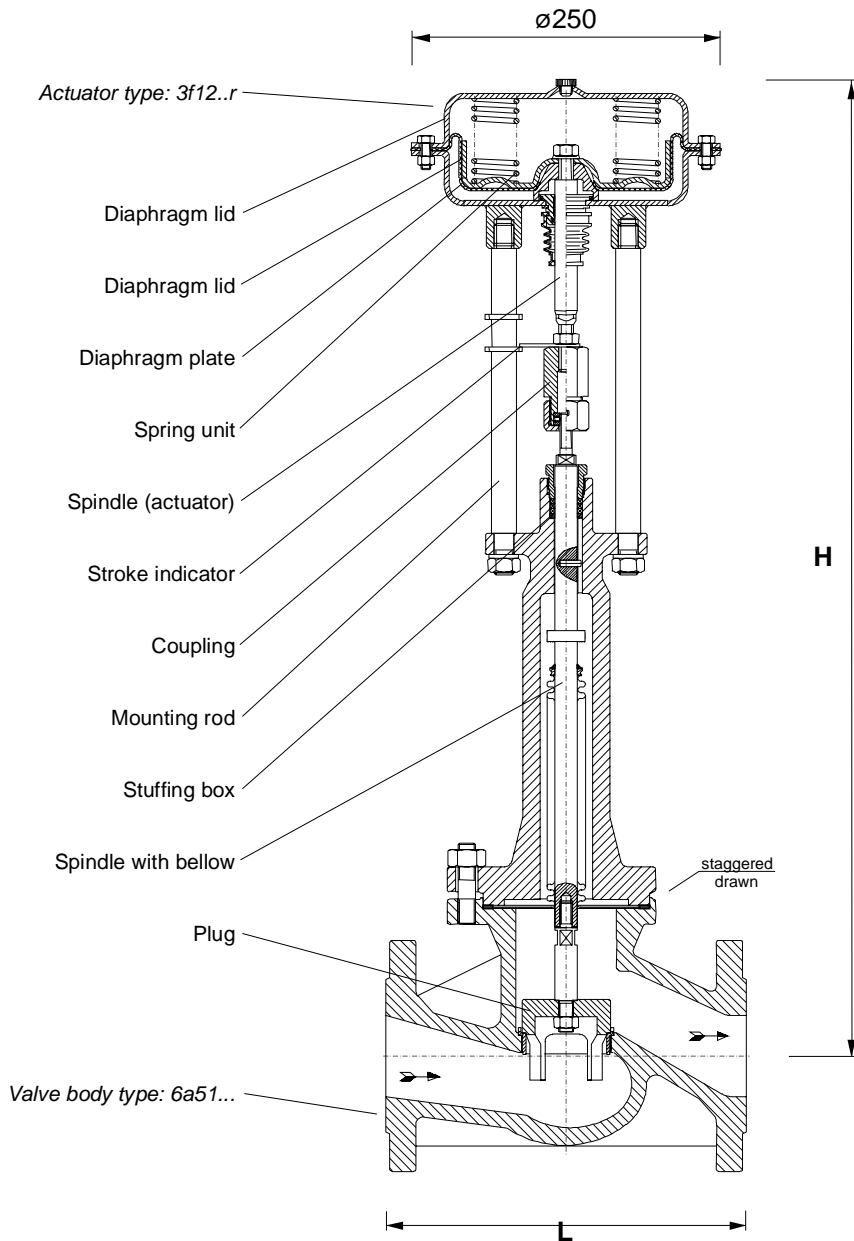
**Pressure-temperature ratings acc. to DIN EN 1092-2:**

by:	-10...50	100	150	200	250	300	350	400	450	°C*
PN16 351 4 EN-GJS-400-18-LT	16	16	15,5	14,7	13,9	12,8	11,2	-	-	bar
PN25 351 5 EN-GJS-400-18-LT	25	25	24,3	23	21,8	20	17,5	-	-	bar
PN40(25)* 351 6 GP240GH+N	25	25	25	25	25	25	24	21	13,1	bar
PN40(25) 351 E GX5CrNiMo19-11-2	25	25	22,7	21	19,8	18,5	17,4	17,1	-	bar

\* = acc. to KFM norm

DN	List-No.				Kvs m <sup>3</sup> /h	Stroke mm	Closing pressure** (bar) for control signal...		
	PN16	PN25	PN40(25)	PN40(25)			0,4...1,2bar: standard	1,0...2,0bar: type ...c	2,0...4,0bar: type ...d
15	351 400.	351 500.	351 600.	351 E00._p2	4,0	20	17,9	25,0	
20	351 401.	351 501.	351 601.	351 E01._p2	6,3	20	17,9	25,0	
25	351 402.	351 502.	351 602.	351 E02._p2	10	20	11,1	25,0	
32	351 403.	351 503.	351 603.	351 E03._p2	16	20	6,3	22,8	25,0
40	351 404.	351 504.	351 604.	351 E04._p2	25	20	3,6	14,4	25,0
50	351 405.	351 505.	351 605.	351 E05._p2	40	20	1,9	8,9	20,7
65	351 406.	351 506.	351 606.	351 E06._p2	63	30	0,6	4,8	11,9
80	351 408.	351 508.	351 608.	351 E08._p2	100	30		3,0	7,7
100	351 410.	351 510.	351 610.	351 E10._p2	160	30		1,7	4,7
125	351 412d	351 512d			230	40			2,5
150	351 415d				330	40			1,6

\*\* = higher closing pressures see pages 351Se / 351Sg, DN200: see page 351420Sg/k, DN>200 on request



DN	15	20	25	32	40	50	65	80	100	125	150
Height H	633	647	641	648	653	656	785	786	793	896	912
Length L	130	150	160	180	200	230	290	310	350	400	480
Weight kg	19	20	21	22	24	26	45	49	59	106	126

**Body:** three way form  
for heat transfer oil, as mixing valve  
(diverted purpose restricted, see page 038 990)  
Pressure range: body PN16, PN25, PN40  
                  bellow PN25  
Immersion length acc. to DIN EN 558, basic series 1  
Flanges acc. to DIN EN 1092-1/2 type 21  
Spindle sealing: double wall bellow  
and safety stuffing box  
Internal parts: stainless steel, replaceable seat rings  
Flow characteristic: linear  
Positioning ratio: 30:1 (up to 50:1)  
Leakage: < 0,01% Kvs

**Actuator:** with manual emergency operation  
and load dependent limit switches  
Thrust: 2000 N  
Power input: 12 VA  
Alternatively: 4000 N / 28 VA (appendix ...c)  
                  5500 N / 28 VA (appendix ...d)  
Power supply: 230V/50...60Hz  
Optionally: 115V/50...60Hz, 24V/50...60Hz, 24VDC  
Motor rating standard acc. to DIN EN 60034-1: S1 – 100%  
Protection class acc. to DIN EN 60529: IP65



**Accessories, special types:**  
Add. limit switches load dependent (see page 49e)  
Add. signal switches travel dependent (see page 49w)  
Feedback potentiometer (see page 49f)  
Integrated positioner (see page 49sr)  
Integrated process controller (see page 49r)  
Feedback signal 4-20mA / 0-10V  
Actuator heater (on request)  
Other positioning speed (on request)  
Reduced Kvs- values (on request)  
Weld-on ends (on request)  
Flange drillings acc. to ANSI / JIS (on request)

**Order text:**  
Motor control valve in three way form, with mixing plug  
Material . . . , PN . . . , DN . . . , Kvs . . .  
Spindle sealing with bellow  
Power supply . . . , closing pressure . . . bar  
List-No.: PN16: 461 4 . . . , PN25: 461 5 . . . , PN40(25): 461 6 . . . , PN40(25): 461 E . . . \_p2  
Accessories: . . .

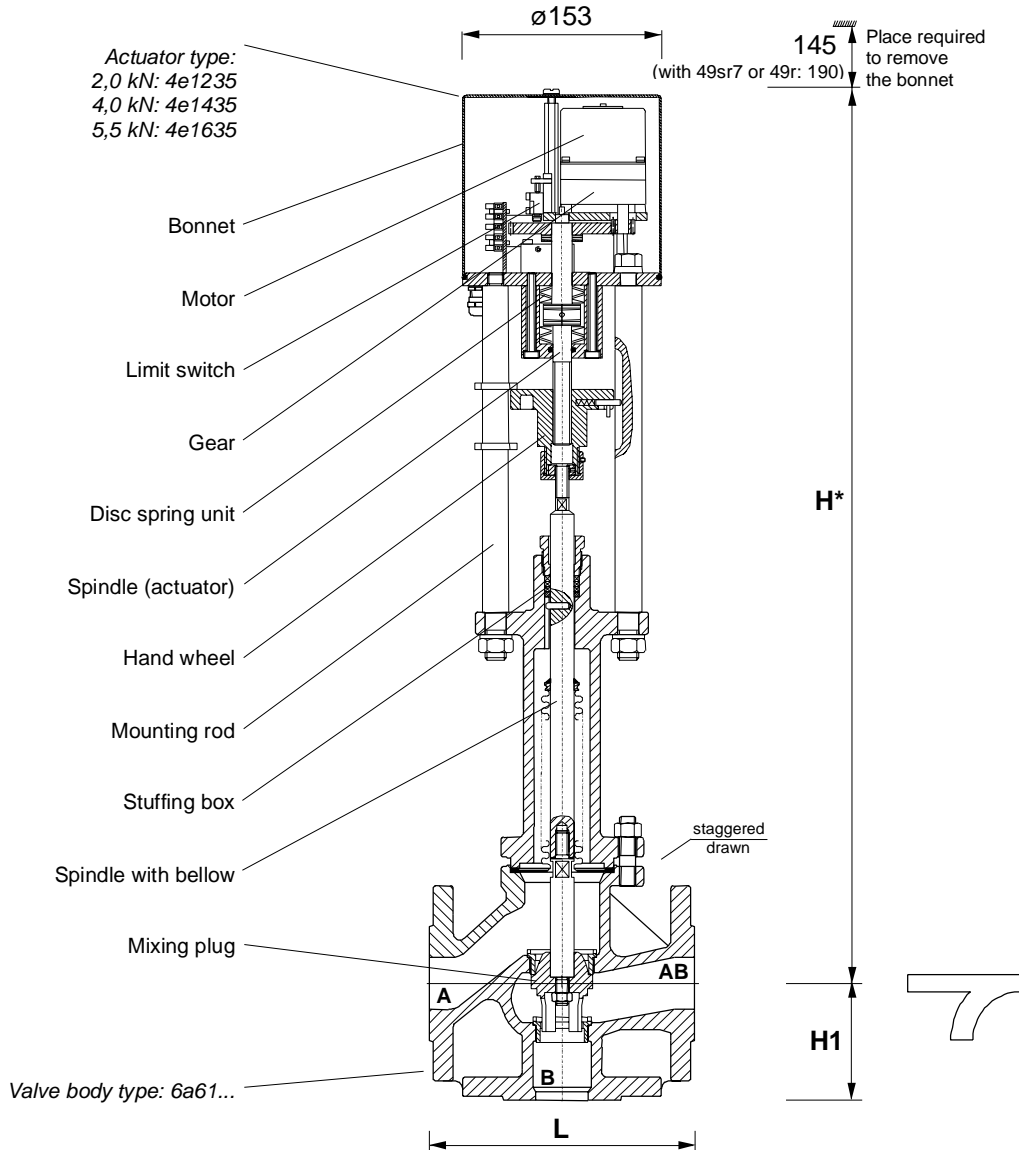
**Pressure-temperature ratings acc. to DIN EN 1092-1/2:**

by:		-10...50	100	150	200	250	300	350	400	450	°C	
PN16	461 4	EN-GJS-400-18-LT	16	16	15,5	14,7	13,9	12,8	11,2	-	-	bar
PN25	461 5	EN-GJS-400-18-LT	25	25	24,3	23	21,8	20	17,5	-	-	bar
PN40(25)*	461 6	GP240GH+N	25	25	25	25	25	24	21	13,1		bar
PN40(25)	461 E	GX5CrNiMo19-11-2	25	25	22,7	21	19,8	18,5	17,4	17,1		bar

\* = acc. to KFM norm

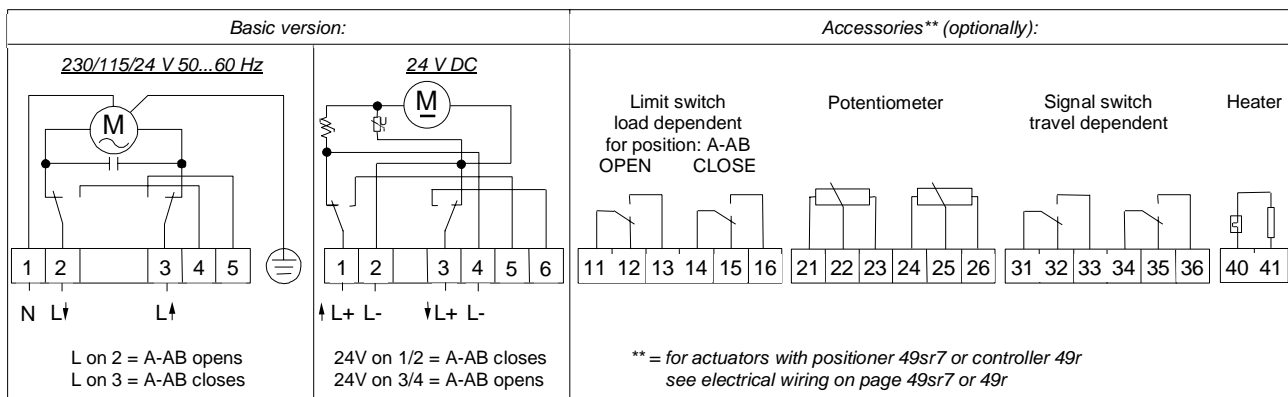
DN	List-No.				Kvs m³/h	Stroke mm	Pos. time sec	Closing pressure** (bar)		
	PN 16	PN 25	PN40(25)	PN40(25)				2000N	4000N	5500N
15	461 400	461 500	461 600	461 E00_p2	4	20	66	25,0		
20	461 401	461 501	461 601	461 E01_p2	6,3	20	66	25,0		
25	461 402	461 502	461 602	461 E02_p2	10	20	66	25,0		
32	461 403.	461 503.	461 603.	461 E03._p2	16	20	66	17,3	25,0	
40	461 404.	461 504.	461 604.	461 E04._p2	25	20	66	10,8	25,0	
50	461 405.	461 505.	461 605.	461 E05._p2	40	20	66	6,6	16,0	23,0
65	461 406.	461 506.	461 606.	461 E06._p2	63	30	99	3,4	9,1	13,3
80	461 408.	461 508.	461 608.	461 E08._p2	100	30	99	2,0	5,8	8,6
100	461 410.	461 510.	461 610.	461 E10._p2	160	30	99	1,1	3,5	5,4
125	461 412.	461 512.			230	35	116		2,1	3,3
150	461 415.				330	38	126		1,3	2,1

\*\* = higher closing pressures on request, DN200: see page 461420Hf/h/i/k, DN>200 on request



DN	15	20	25	32	40	50	65	80	100	125	150
Height H*	661	675	669	676	681	683	813	814	821	924	940
Stud length H1	65	70	75	80	90	100	120	130	150	200	210
Length L	130	150	160	180	200	230	290	310	350	400	480
Weight kg	16	17	18	21	22	25	44	48	62	116	137

\* = add. 45mm for actuators with positioner 49sr7 or controller 49r



**Body:** three way form

for heat transfer oil, as mixing valve  
(diverted purpose restricted, see page 038 990)  
Pressure range: body PN16, PN25, PN40  
                  bellow PN25

Immersion length acc. to DIN EN 558, basic series 1  
Flanges acc. to DIN EN 1092-1/2 type 21  
Spindle sealing: double wall bellow  
and safety stuffing box  
Internal parts: stainless steel, replaceable seat rings  
Flow characteristic: linear  
Positioning ratio: 30:1 (up to 50:1)  
Leakage: < 0,01% Kvs

**Actuator:** diaphragm area 250 cm<sup>2</sup>, ø250 mm

Control signal / closing pressure: see table  
Operating mode (reversible):  
"Spring closes straightway A-AB"  
Air connection: G1/4"  
Operating pressure: standard type: 1,6 bar  
                          other types: ...c: 3 bar, ...d: 6 bar

**Accessories, special types:**

I/P-Positioner, control signal 4...20 mA (see page 390 8)  
P/P-Positioner, control signal 0,2...1,0 bar (see page 390 3)  
Electro-pneum. transformer (see page 390 3)  
Solenoid valve for operating air (see page 393)  
Limit switches (see page 39e)  
Inductive limit switches (on request)  
Manual operating device (see page 39h)  
Other Kvs- values (on request)  
Weld-on ends (on request)  
Flange drillings acc. to ANSI / JIS (on request)

**Order text:**

Pneumatic control valve in three way form, with mixing plug  
Material . . . , PN . . . , DN . . . , Kvs . . .  
Spindle sealing with bellow  
Spring closes (opens) straightway A-AB  
Control signal . . . - . . . bar, closing pressure . . . bar  
List-No.: PN16: 361 4 . . . , PN25: 361 5 . . . , PN40(25): 361 6 . . . , PN40(25): 361 E . . . \_p2  
Accessories: . . .



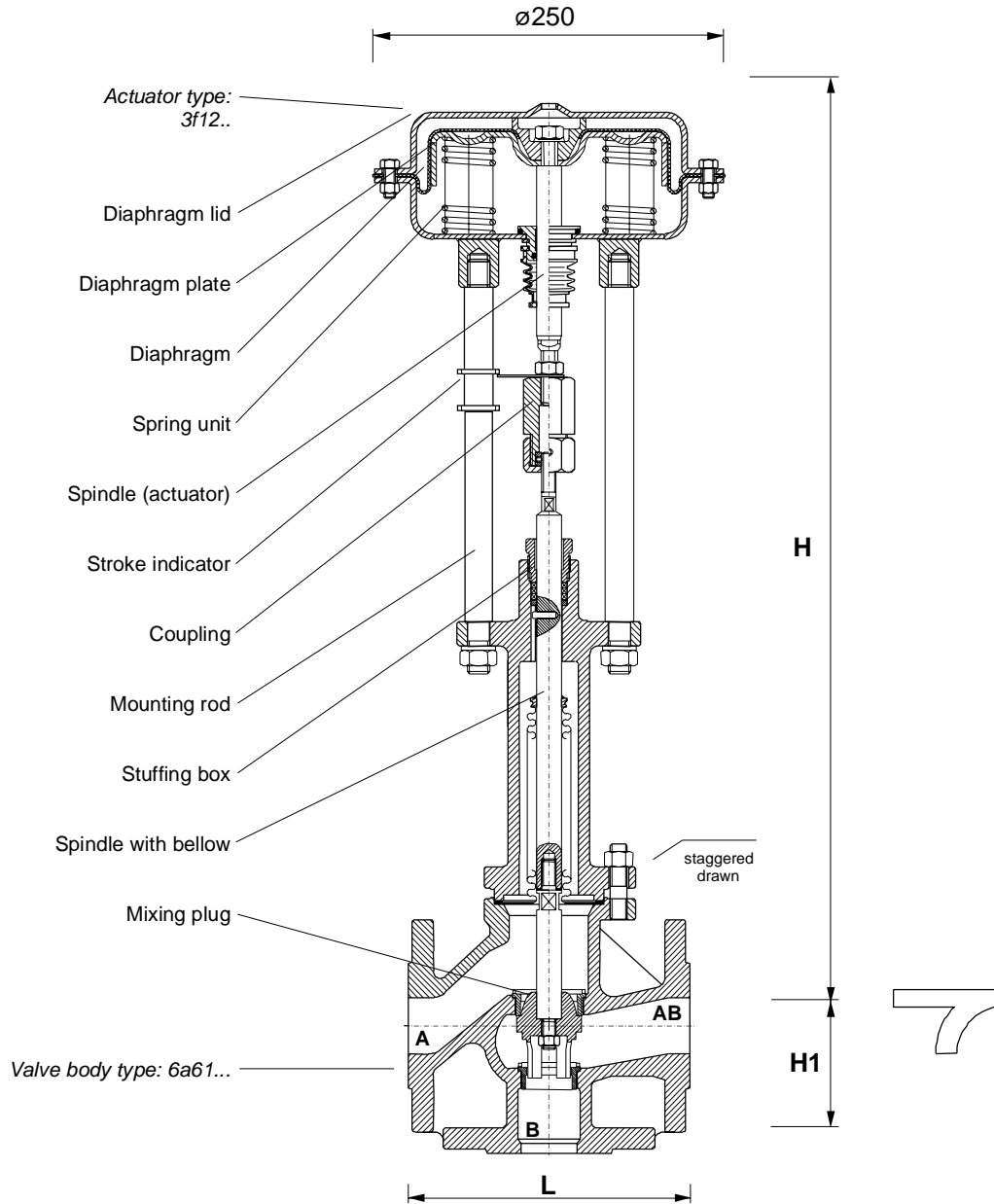
**Pressure-temperature ratings acc. to DIN EN 1092-1/2:**

by:		-10...50	100	150	200	250	300	350	400	450	°C	
PN16	361 4	EN-GJS-400-18-LT	16	16	15,5	14,7	13,9	12,8	11,2	-	-	bar
PN25	361 5	EN-GJS-400-18-LT	25	25	24,3	23	21,8	20	17,5	-	-	bar
PN40(25)*	361 6	GP240GH+N	25	25	25	25	25	25	24	21	13,1	bar
PN40(25)	361 E	GX5CrNiMo19-11-2	25	25	22,7	21	19,8	18,5	17,4	17,1	-	bar

\* = acc. to KFM norm

DN	List-No.				Kvs m <sup>3</sup> /h	Stroke mm	Closing pressure** (bar) for control signal...		
	PN16	PN25	PN40(25)	PN40(25)			0,4...1,2bar: standard	1,0...2,0bar: type ...c	2,0...4,0bar: type ...d
15	361 400.	361 500.	361 700.	361 E00._p2	4,0	20	17,9	25,0	
20	361 401.	361 501.	361 701.	361 E01._p2	6,3	20	17,9	25,0	
25	361 402.	361 502.	361 702.	361 E02._p2	10	20	11,1	25,0	
32	361 403.	361 503.	361 703.	361 E03._p2	16	20	6,3	22,8	25,0
40	361 404.	361 504.	361 704.	361 E04._p2	25	20	3,6	14,4	25,0
50	361 405.	361 505.	361 705.	361 E05._p2	40	20	1,9	8,9	20,7
65	361 406.	361 506.	361 706.	361 E06._p2	63	30	0,6	4,8	11,9
80	361 408.	361 508.	361 708.	361 E08._p2	100	30		3,0	7,7
100	361 410.	361 510.	361 710.	361 E10._p2	160	30		1,7	4,7
125	361 412.	361 512.			230	35		0,7	2,5
150	361 415.				330	38			1,6

\*\* = higher closing pressures and DN>200 on request, DN200: see page 361420Sg



DN	15	20	25	32	40	50	65	80	100	125	150
Height H	633	647	641	648	653	656	785	786	793	896	912
Stud length H1	65	70	75	80	90	100	120	130	150	200	210
Length L	130	150	160	180	200	230	290	310	350	400	480
Weight kg	18	19	20	23	24	28	46	50	64	118	140