

PRESSURE GAUGES MAN-63

DESCRIPTION

The MAN-63 are reliable general purpose bourdon tube pressure gauges designed for pressure measurement of liquid and gaseous media. These units have a size diameter of 63 mm, range marked in bar and are fully manufactured in stainless steel.

MAIN FEATURES

Compact full stainless steel construction.
Wetted parts in AISI 316Ti / 1.4571.
Designed according to EN 837-1.
Bayonet lock case with blow-out.
Suitable to be filled with glycerine.

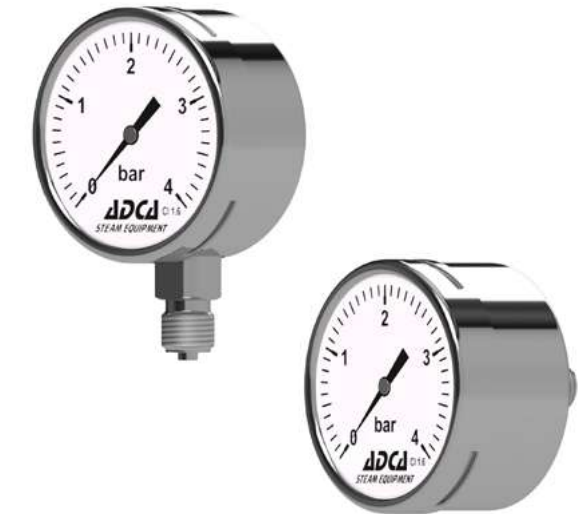
USE: Gases and liquids compatible with the construction.

AVAILABLE MODELS: MAN-63R – radial connection.
MAN-63A – axial connection.

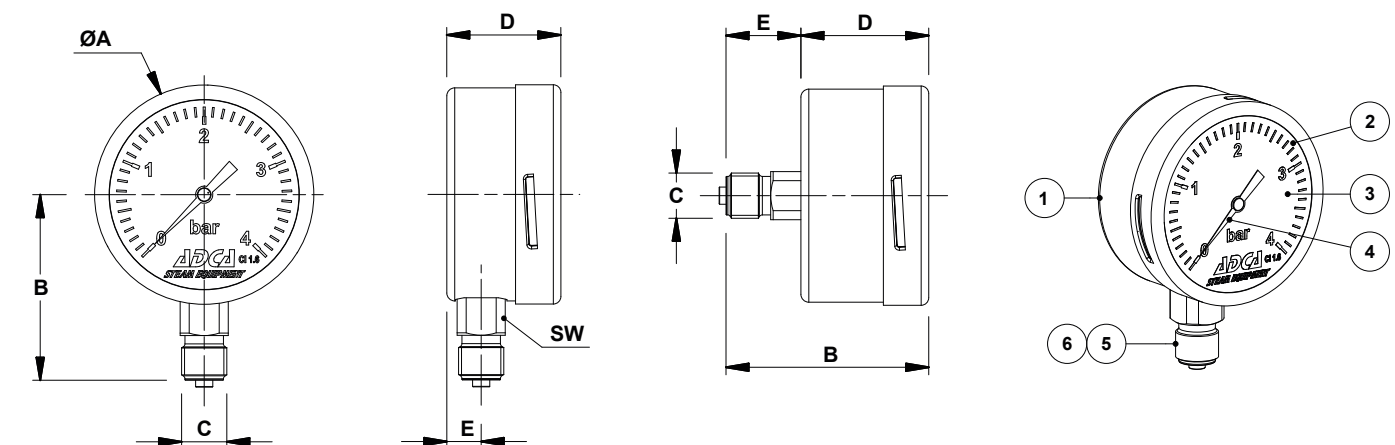
SIZES: 1/4".

CONNECTIONS: ISO 228.

MEASURING RANGES: -1 to 1,5 bar, 0 to 2,5 bar, 0 to 4 bar, 0 to 6 bar, 0 to 10 bar, 0 to 16 bar, 0 to 25 bar and 0 to 40 bar.



LIMITING CONDITIONS	
Accuracy	±1,6% FS
IP rating	IP 65
Maximum allowable pressure	Full scale reading
Maximum operating temperature	100 °C
Ambient temperature	- 10 °C to 60 °C



DIMENSIONS (mm)							
MODEL	ØA	B	C	D	E	SW	WEIGHT (kg)
MAN-63R	63,8	54	1/4"	33,2	10	14	0,2
MAN-63A	63,8	59	1/4"	37,2	21,8	14	0,2

MATERIALS					
POS. N°	DESIGNATION	MATERIAL	POS. N°	DESIGNATION	MATERIAL
1	Case and bezel ring	AISI 304 / 1.4301	4	Pointer	Black aluminium
2	Window	Glass	5	Connection	AISI 316Ti / 1.4571
3	Dial	White aluminium	6	Measuring system	AISI 316Ti / 1.4571

**PRESSURE GAUGE
MAN-100**

DESCRIPTION

The MAN-100 are reliable and cost-effective, general purpose bourdon tube pressure gauges designed for pressure measurement of liquid and gaseous media. They have a nominal size diameter of 100mm, units marked in bar and their casing is fully manufactured from stainless steel.

MAIN FEATURES

Accuracy: 1% of full scale value.
Designed according to EN 837-1.
Bottom connection.

OPTIONS: Backside centric connection.
Complete stainless steel construction.

USE: Non-viscous and non-crystallizing liquids and gases compatible with copper alloy.

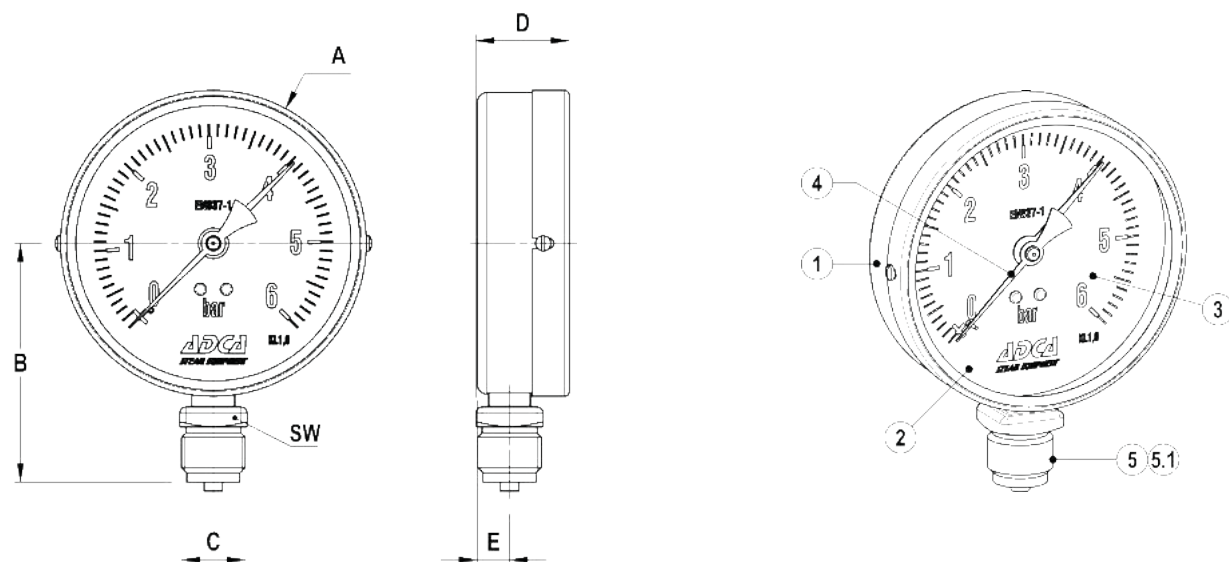
AVAILABLE MODELS: MAN-100.

CONNECTIONS: ISO 228 G 1/2".

MEASURING RANGES: 0 – 2,5 bar; 0 – 4 bar; 0 – 6 bar; 0 – 10 bar;
0 – 16 bar; 0 – 25 bar; 0 – 40 bar.



LIMITING CONDITIONS	
Maximum allowable pressure	Full scale reading
Maximum operating temperature	110 °C
Ambient temperature	- 10 °C to 60 °C



DIMENSIONS (mm)							
SIZE	Ø A	B	C	D	E	SW	WGT. (kg)
1/2"	100	78	1/2"	31	10,5	22	0,34

MATERIALS		
POS. N°	DESIGNATION	MATERIAL
1	Case and bezel ring	AISI 304 / 1.4301
2	Window	Glass
3	Dial	White aluminium
4	Pointer	Black aluminium
5	Connection	Brass
5.1	Measuring system	Copper alloy

**GAUGE VALVES
GC400**

DESCRIPTION

The GC400 gauge valves were designed for mounting of instruments such as pressure gauges, transmitters and switches. Throttling of the valve protects the connected instrument against pressure spikes. Complete valve shut-off and pressure release through the integrated vent plug allows safe instrument removal for replacement or calibration procedures.

MAIN FEATURES

Integrated vent plug.
Designed and tested according to DIN 16270.

OPTIONS: Version for oxygen service.

USE: Saturated steam, water, compressed air and other fluids compatible with the construction.

AVAILABLE MODELS: GC400 – carbon steel.
GC400I – stainless steel.

CONNECTIONS: ISO 228 G 1/2" (male x female).

INSTALLATION: Any position.

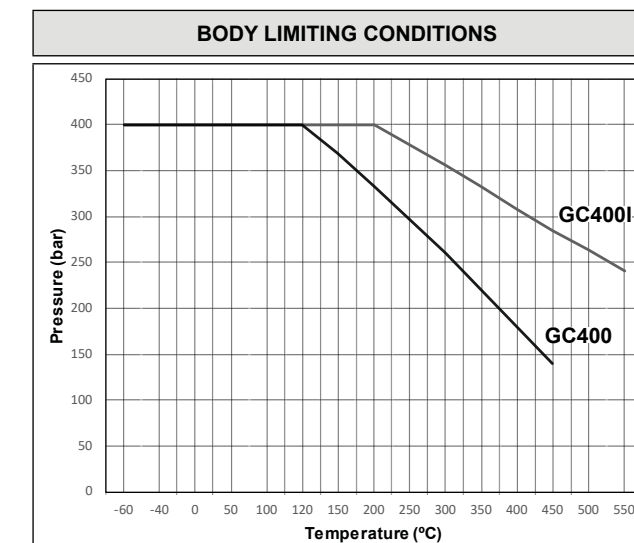
Remarks: Other sizes, materials and connections available on request.

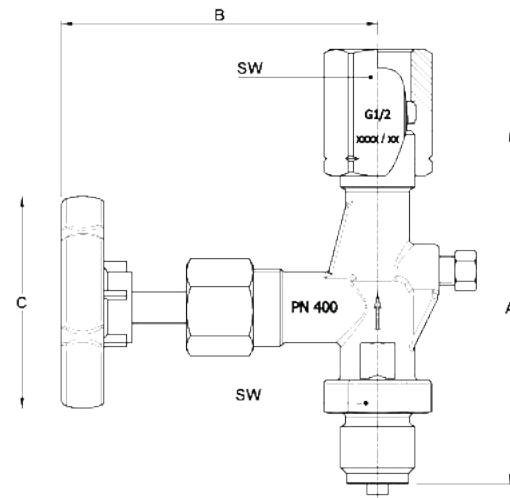


GC400

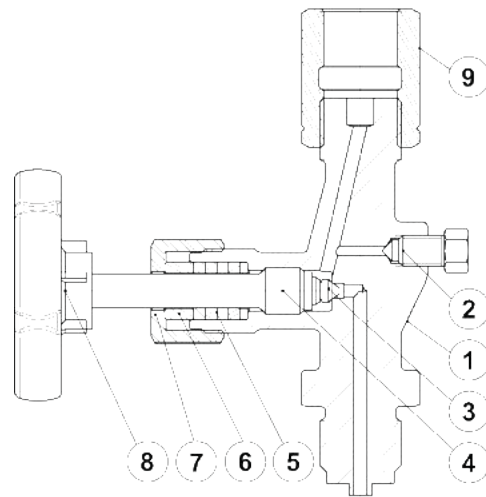


GC400I





DIMENSIONS (mm)					
SIZE	A	B	C	SW	WEIGHT (kg)
1/2" x 1/2"	100	90	63	27	0,54



MATERIALS			
POS. N°	DESIGNATION	GC400	GC4001
1	Body	P250GH / 1.0460	AISI 316 Ti / 1.4571
2	Vent plug	AISI 316 Ti / 1.4571	AISI 316 Ti / 1.4571
3	Valve	AISI 420C / 1.4034	AISI 316 Ti / 1.4571
4	Stem	X14CrMoS17 / 1.4104	AISI 316 Ti / 1.4571
5	Packing	Graphite	Graphite
6	Packing gland	11SMnPb30 / 1.0718	AISI 316 Ti / 1.4571
7	Packing nut	11SMnPb30 / 1.0718	AISI 316 Ti / 1.4571
8	Handwheel	Plastic	Plastic
9	Compression fitting	11SMnPb30 / 1.0718	AISI 316 Ti / 1.4571

**GAUGE SIPHONS
GSC - GSU**

DESCRIPTION

The GS series pressure gauge siphons were designed to protect pressure gauges from the effects of sudden pressure surges and hot pressurized fluids. They operate as cooling elements for liquids and gases in pressure measuring devices. An isolation pressure gauge cock is recommended to be installed in combination with gauge siphons.

MAIN FEATURES

Complete stainless steel construction.

OPTIONS: Different types of connections.

USE: Pressure gauge protection on steam, water, compressed air and other fluid systems compatible with the construction.

AVAILABLE MODELS: GSC-40; GSU-40 ; GSUL-40.

SIZES: G1/2" (male x female).

CONNECTIONS: ISO 228-1.

INSTALLATION: GSC – vertical; GSU – horizontal.

LIMITING CONDITIONS: 40 bar at 300 °C; 110 bar at 110 °C.

WEIGHT: 0,34 kg.

MATERIALS: Coil – AISI 316L / 1.4404.
Connections – AISI 304 / 1.4301.



GSC

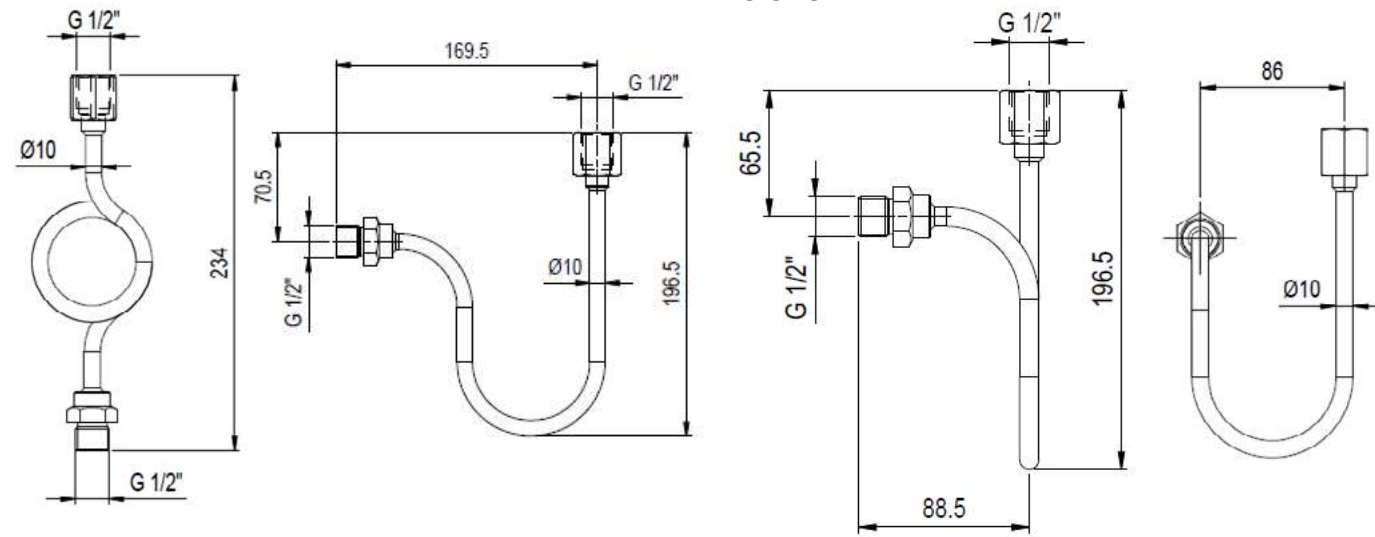


GSU

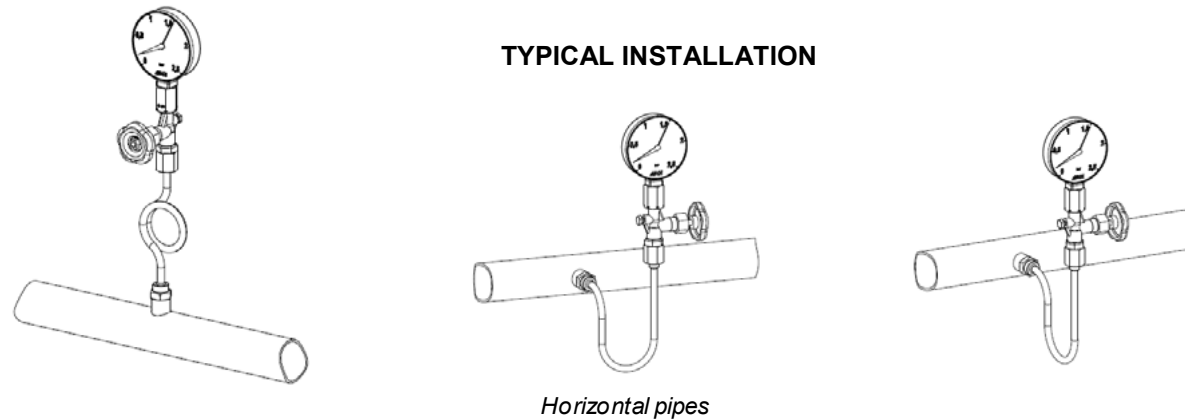


GSUL

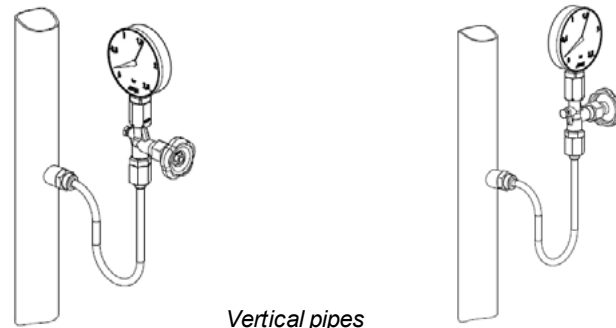
DIMENSIONS



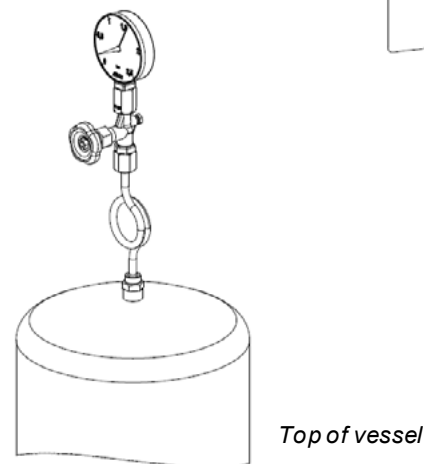
TYPICAL INSTALLATION



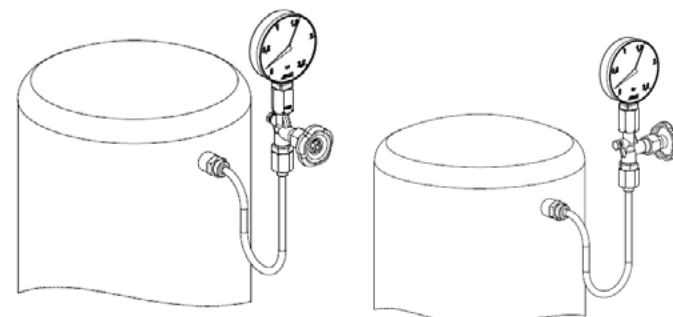
Horizontal pipes



Vertical pipes



Top of vessel



Side of vessel

**GAUGE SIPHONS
GSV**

DESCRIPTION

The GSV series pressure gauge siphons have been designed to protect pressure gauges from the effect of rapid pressure surges and hot pressure fluids. Specifically designed to replace the traditional "pigtail" and other coil design siphons where it is necessary to eliminate gauge whip and vibration. They operate as cooling elements for liquids and gases in pressure measuring devices. An isolation pressure gauge cock is recommended to be installed in combination with gauge siphons.

MAIN FEATURES

Complete stainless steel construction.
Compact sturdy design, requires minimum space for installation.

OPTIONS: Different types of connections.

USE: Pressure gauge protection on steam, water, compressed air and other fluid systems compatible with the construction.

AVAILABLE MODELS: GSV.

SIZES: G1/2" (male x female).

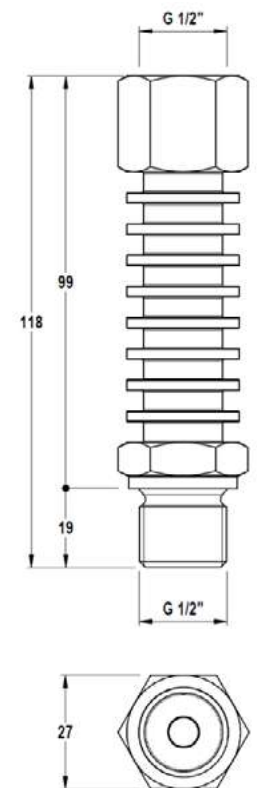
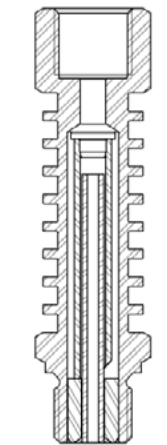
CONNECTIONS: ISO 228-1.

INSTALLATION: Vertical.

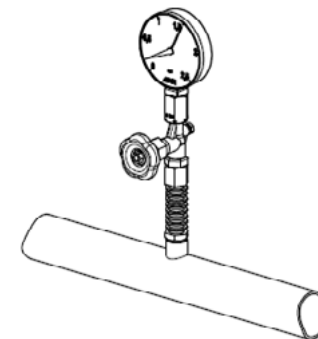
LIMITING CONDITIONS: 63 bar at 400 °C; 100 bar at 120 °C.

WEIGHT: 0,42 kg.

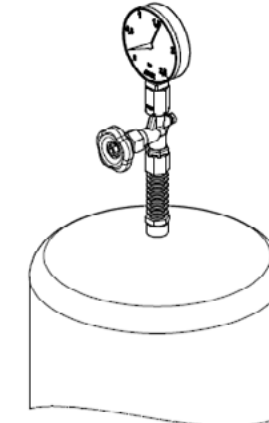
MATERIALS: AISI 316L / 1.4404.



TYPICAL INSTALLATION



Horizontal pipe



Top of vessel

**LEVEL GAUGE VALVES
LGC400**

DESCRIPTION

The LGC stainless steel level gauge valves are specially conceived to supervise the functioning and visualize the liquid level in pressure operated pumps, reservoirs and other equipment. These valves are designed to be used with tubular glass, which can be supplied with the units.

MAIN FEATURES

Stainless steel construction.
Simple and cost-effective design.
PTFE packing.

OPTIONS: Fitted with glass and protection guard.
1/4" bottom drain connection.

AVAILABLE MODELS: LGC400 – stainless steel.

SIZES: 1/2" x 14 mm.

CONNECTIONS: Male threaded ISO 7 R.



LIMITING CONDITIONS

Maximum operating pressure	12 bar
Maximum operating temperature	200 °C

DIMENSIONS (mm)

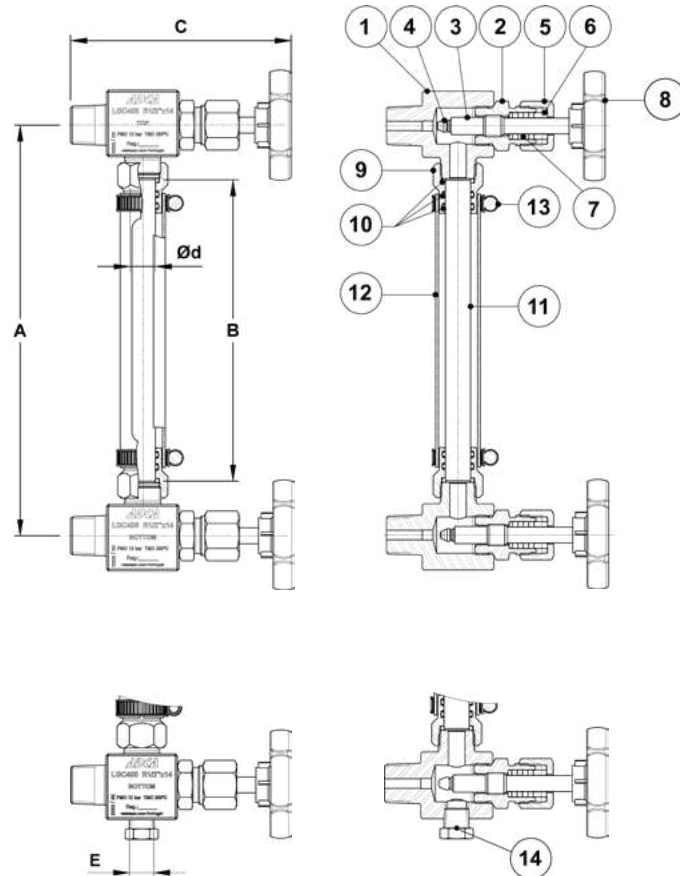
SIZE	A	B	C	d	E	WEIGHT (kg)
1/2" x 14	*	**	122	14	1/4" ***	****

* Dimension to be provided by customer.
** Dimension B is obtained by subtracting 61 mm to dimension A.
*** Female threaded NPT.
**** Weight to be determined according to dimensions A and B.

MATERIALS

POS. N°	DESIGNATION	MATERIAL
1	Body	AISI 316 Ti / 1.4571
2	Bonnet	AISI 316 Ti / 1.4571
3	Stem	AISI 316 Ti / 1.4571
4	Plug	AISI 316 Ti / 1.4571
5	Packing nut	AISI 316 Ti / 1.4571
6	Packing gland	AISI 316 Ti / 1.4571
7	Packing set	PTFE
8	Handwheel	PP GF30
9	Glass guide	AISI 316 / 1.4401
10	O-rings	Viton
11	Glass	Borosilicate
12	Glass protection guard	AISI 304 / 1.4301
13	Hose clamp	Zinc plated steel
14	Plug	AISI 316 Ti / 1.4571

* Available spare parts.



Optional bottom drain connection