

PIPELINE Y STRAINERS IS140

DESCRIPTION

The IS140 is a series of Y strainers applicable in all types of steam, water, oil and air systems.

Their purpose is to protect equipment, such as steam traps and regulating valves, from dirt and impurities which often cause damage and consequent downtime and energy loss.

OPTIONS: Different screen aperture sizes.
Drain plug or drain valve in strainer cap.

USE: Saturated steam, water, oil, air and other fluids compatible with the construction materials.

AVAILABLE MODELS: IS140S – cast steel.
IS140i – stainless steel.

SIZES: 1/2" to 2".

SCREENS: 0,8 mm aperture.

CONNECTIONS: Female threaded ISO 7 Rp or NPT.

INSTALLATION: Horizontal or vertical downstream installation.
See IMI – Installation and maintenance instructions.



BODY LIMITING CONDITIONS *		
IS140S ALLOWABLE PRESSURE	IS140i ALLOWABLE PRESSURE	RELATED TEMP.
40 bar	40 bar	-10 °C / 50 °C
33,3 bar	33,7 bar	200 °C
27,6 bar	29,7 bar	300 °C
25,7 bar	28,5 bar	350 °C
23,8 bar	27,4 bar	400 °C

* Rating according to EN 1092-1:2018

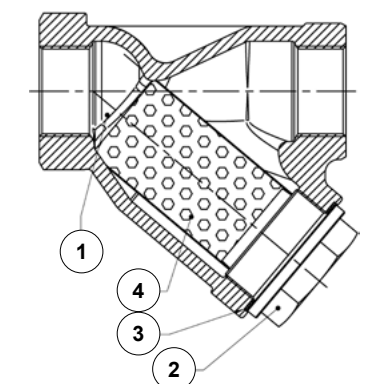
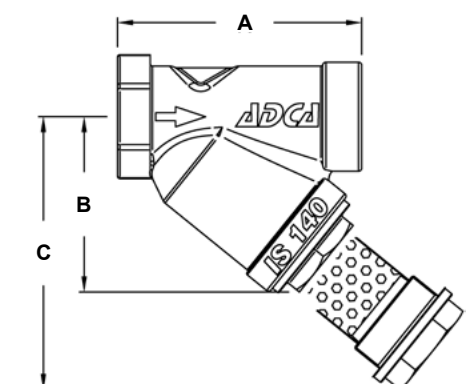
CE MARKING – GROUP 2 (PED – European Directive)

PN 40	Category
1/2" to 1 1/4"	SEP
1 1/2" to 2"	1 (CE marked)

DIMENSIONS (mm)				
SIZE	A	B	C	WGT. (kg)
1/2"	85	63	107	0,6
3/4"	100	80	139	1
1"	115	87	155	1,5
1 1/4"	143	107	192	2,5
1 1/2"	160	125	215	3,6
2"	198	142	242	5,7

MATERIALS			
POS. N°	DESIGNATION	IS140S	IS140i
1	Body	A216 WCB / 1.0619	A351 CF8M / 1.4408
2	Cap	A105 / 1.0432	AISI 316 / 1.4401
3	* Gasket	Stainless steel / Graphite	Stainless steel / Graphite
4	* Strainer screen	AISI 304 / 1.4301	AISI 304 / 1.4301

* Available spare parts.



PIPELINE Y STRAINERS IS16F

DESCRIPTION

The IS16F cast iron Y strainers are applicable to all types of steam, water, oil and air systems. Their purpose is to protect traps, regulating valves, piping, etc. from dirt and impurities, which are often the cause of damage and consequent energy loss of fluid systems.

OPTIONS: Different screen aperture sizes.
Drain plug or drain valve in strainer cap.

USE: Group 2 fluids compatible with the construction (see "Body limiting conditions" table).

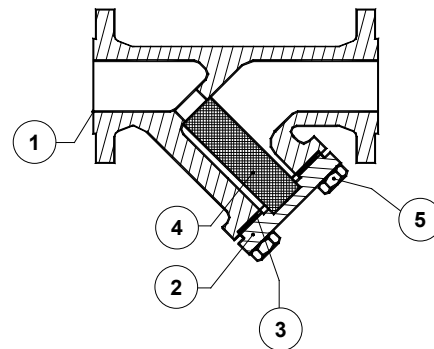
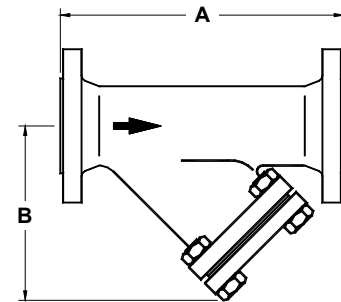
AVAILABLE MODELS: IS16F – cast iron.

SIZES: DN 15 to DN 300.

SCREENS: 1 mm aperture – up to DN 50.
1,25 mm aperture – from DN 65 to DN 80.
1,6 mm aperture – from DN 100 to DN 300.

CONNECTIONS: Flanged EN 1092-2 PN 16.

INSTALLATION: Horizontal or vertical downstream installation.
See IMI – Installation and maintenance instructions.



CE MARKING – GROUP 2 (PED – European Directive)

PN 16	Category
DN 15 to DN 50	SEP
DN 65 to DN 200	1 (CE marked)
DN 250 to DN 300	2 (CE marked)

BODY LIMITING CONDITIONS *	
ALLOWABLE PRESSURE	RELATED TEMPERATURE
16 bar	-10 / 120 °C
12,8 bar	200 °C
11,2 bar	250 °C
9,6 bar	300 °C

* Warning: The eventual use with steam/gas should be analyzed in accordance with the local applicable legislation, and always ensuring that there is no risk of water hammer.

MATERIALS		
POS. N°	DESIGNATION	MATERIAL
1	Body	GJL-250 / 0.6025
2	Cover	GJL-250 / 0.6025
3	* Gasket	Stainless steel / Graphite
4	* Strainer screen	AISI 304 / 1.4301
5	Bolts	Steel 8.8

* Available spare parts.

DIMENSIONS (mm)			
SIZE	A	B	WEIGHT (kg)
DN 15	130	75	2,4
DN 20	150	75	3
DN 25	160	90	3,8
DN 32	180	90	5,2
DN 40	200	110	6,8
DN 50	230	120	9
DN 65	290	140	11,8
DN 80	310	165	16,8
DN 100	350	220	25,2
DN 125	400	260	37
DN 150	480	300	58
DN 200	600	360	112
DN 250	730	470	162
DN 300	850	560	195

PIPELINE Y STRAINERS IS116

DESCRIPTION

The IS116 forged steel Y strainers are applicable to all types of steam, water, oil and air systems. Their purpose is to protect traps, regulating valves, piping, etc. from dirt and impurities, which are often the cause of damage and consequent energy loss of fluid systems.

OPTIONS: Different screen aperture sizes.
Drain plug or drain valve in strainer cap.

USE: Saturated steam, water, oil, air and other fluids compatible with the construction materials.

AVAILABLE MODELS: IS116 – forged steel.

SIZES: 1/2" to 2"; DN 15 to DN 50.

SCREENS: 0,8 mm aperture.

CONNECTIONS: Female threaded ISO 7 Rp or NPT.
Flanged EN 1092-1 PN 40, PN 63 or PN 100.
Flanged ASME B16.5 Class 150, 300 or 600.
Socket weld (SW) ASME 16.11.

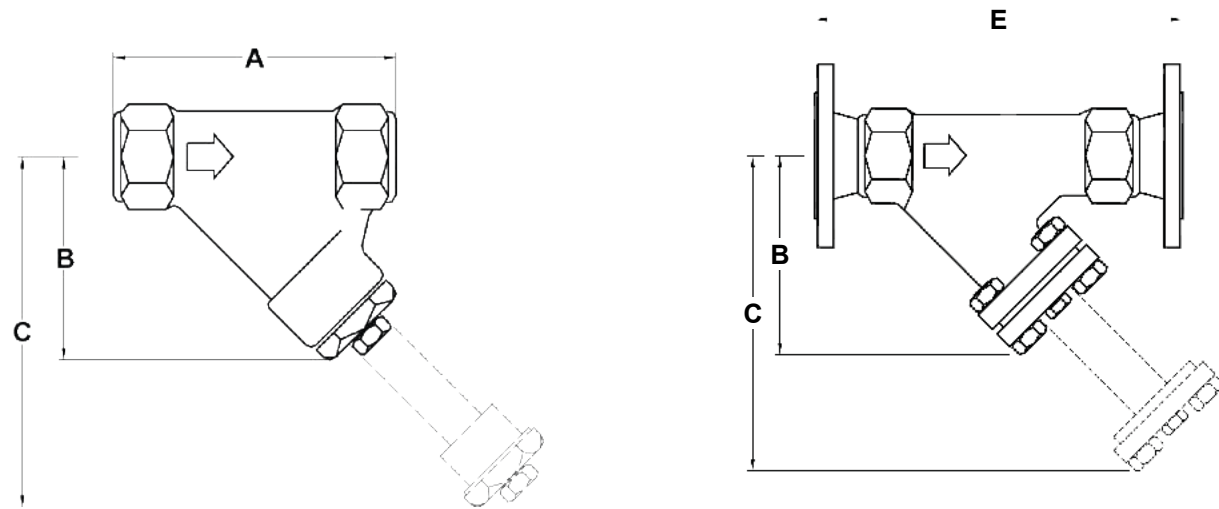
INSTALLATION: Horizontal or vertical downstream installation.
See IMI – Installation and maintenance instructions.



CE MARKING – GROUP 2 (PED – European Directive)

PN 100	Category
1/2" to 1 1/4" – DN 15 to 32	SEP
1 1/2" to 2" – DN 40 to 50	1 (CE marked)

LIMITING CONDITIONS	
PMA – Maximum allowable pressure	100 bar
TMA – Maximum allowable temperature	440 °C

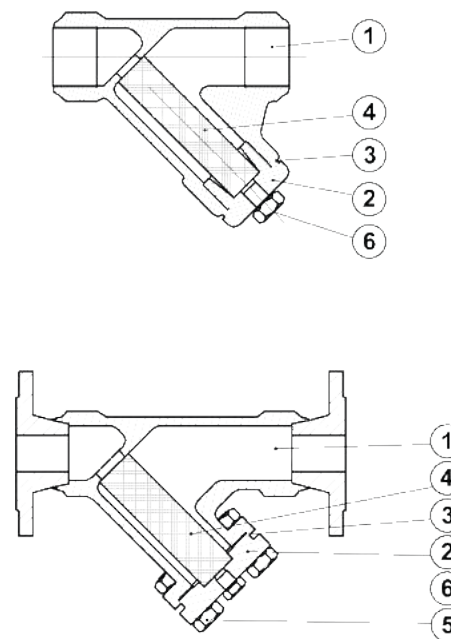


DIMENSIONS (mm)										
THREADED / SW				PN 40		PN 63 / PN 100 *	CLASS 150 *	CLASS 300 *	CLASS 600 *	
SIZE	A	B	C	WEIGHT (kg)	E	WEIGHT (kg)	E	E	E	E
1/2" – DN 15	90	60	105	1	150	2,6	165	165	165	165
3/4" – DN 20	110	75	140	1,2	170	3,5	185	191	191	191
1" – DN 25	130	93	155	2	200	4,6	230	216	216	216
1 1/4" – DN 32	160	120	195	4,5	240	8,3	270	260	270	280
1 1/2" – DN 40	160	120	195	4,5	240	9,5	270	260	270	280
2" – DN 50	160	145	280	6	245	12	276	276	292	292

* For weights, consult manufacturer.

MATERIALS		
POS. N°	DESIGNATION	MATERIAL
1	Body	A105 / 1.0432
2	Cap	A105 / 1.0432
3	* Gasket	Stainless steel / Graphite
4	* Strainer screen	AISI 304 / 1.4301
5	Bolts	A193 B7 / A194 2H
6	Plug	A105 / 1.0432

* Available spare parts (bolted cover, only for 2").



PIPELINE T STRAINERS IS40T (EN)

DESCRIPTION

The IS40T cast steel T strainers are applicable to all types of steam, water, oil and air systems. Their purpose is to protect traps, regulating valves, piping, etc. from dirt and impurities, which are often the cause of damage and consequent energy loss of fluid systems.

OPTIONS: Different screen aperture sizes.
Drain plug or drain valve in strainer cap.

USE: Saturated steam, water, oil, air and other fluids compatible with the construction materials.

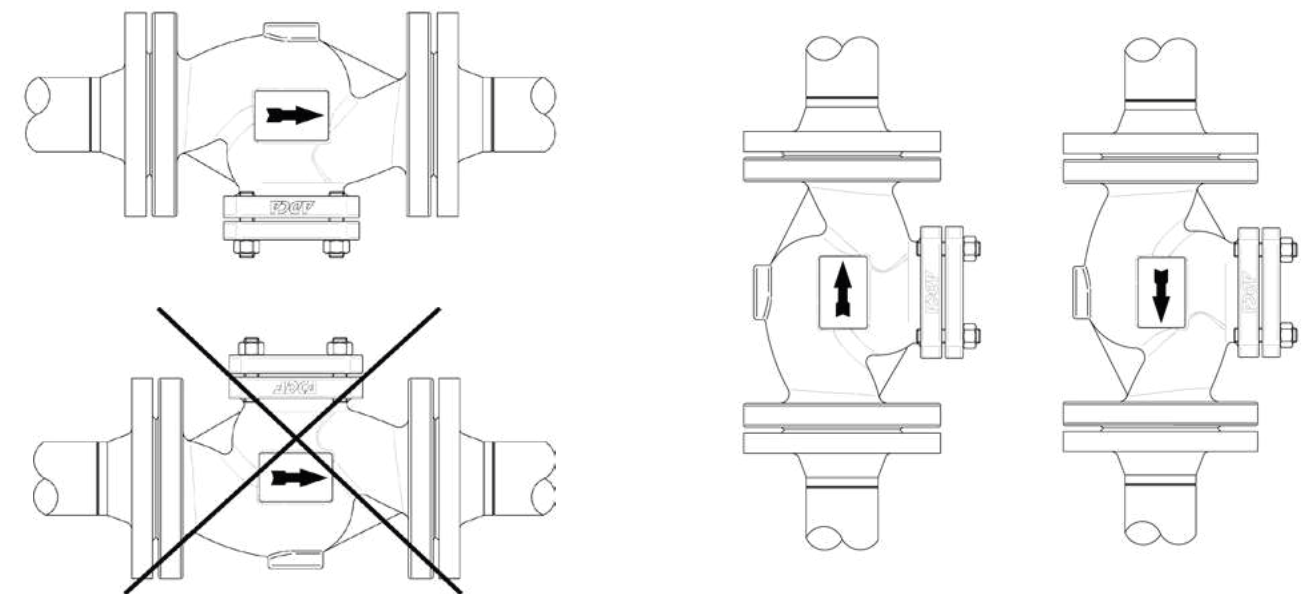
AVAILABLE MODELS: IS40TS – carbon steel.
IS40TI – stainless steel.

SIZES: DN 15 to DN 100.

SCREENS: 0,5 mm aperture – up to DN 25.
1,5 mm aperture – from DN 32 to DN 80.
2 mm aperture – DN 100.

CONNECTIONS: Flanged EN 1092-1 PN 16, PN 25 or PN 40.

INSTALLATION: Horizontal or vertical installation.
See IMI – Installation and maintenance instructions.



CE MARKING – GROUP 2 (PED – European Directive)

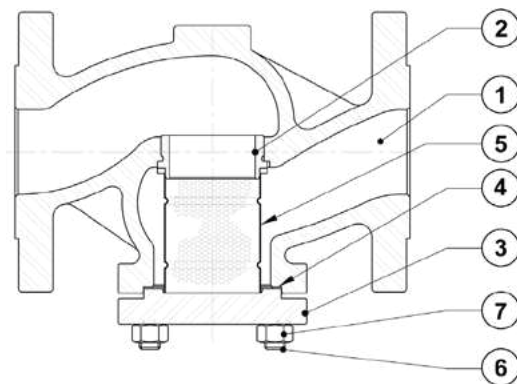
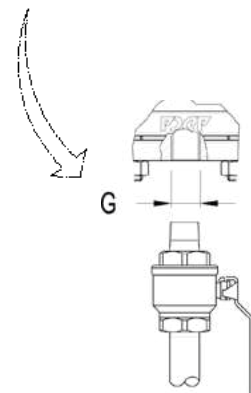
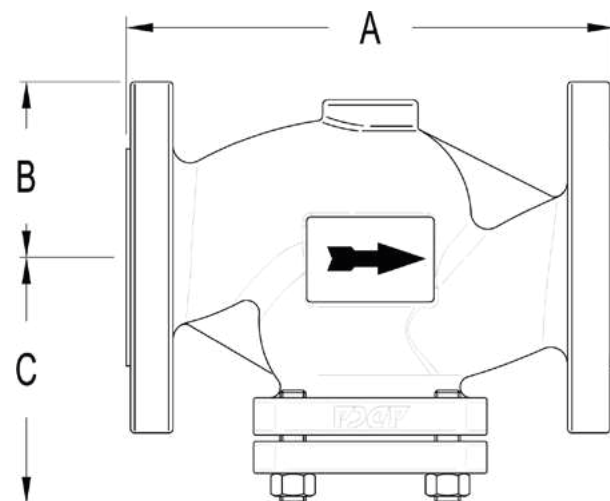
PN 16	PN 25	PN 40	Category
DN 15 to 50	DN 15 to 40	DN 15 to 32	SEP
DN 65 to 100	DN 50 to 100	DN 40 to 100	1 (CE marked)

BODY LIMITING CONDITIONS *							
IS40TS				IS40TI			
PN 16		PN 25		PN 40		PN 40	
ALLOWABLE PRESSURE	RELATED TEMPERATURE	ALLOWABLE PRESSURE	RELATED TEMPERATURE	ALLOWABLE PRESSURE	RELATED TEMPERATURE	ALLOWABLE PRESSURE	RELATED TEMPERATURE
16 bar	- 10 / 120 °C	25 bar	- 10 / 50 °C	40 bar	- 10 / 50 °C	40 bar	- 10 / 50 °C
13,3 bar	200 °C	20,8 bar	200 °C	33,3 bar	200 °C	33,7 bar	200 °C
12,1 bar	250 °C	19 bar	250 °C	27,6 bar	300 °C	29,7 bar	300 °C
11 bar	300 °C	17,2 bar	300 °C	25,7 bar	350 °C	28,5 bar	350 °C
10,2 bar	350 °C	16 bar	350 °C	23,8 bar	400 °C	27,4 bar	400 °C

* Rating according to EN 1092-1:2018.

DIMENSIONS (mm)					
SIZE	A	B	C	G *	WEIGHT (kg)
DN 15	130	48	80	1/2"	3,7
DN 20	150	53	80	1/2"	4,2
DN 25	160	58	80	1/2"	5,3
DN 32	180	70	100	1/2"	7,8
DN 40	200	75	105	1/2"	9,6
DN 50	230	83	115	1/2"	14
DN 65	290	93	155	1/2"	23,5
DN 80	310	100	155	1/2"	27,9
DN 100	350	118	165	1/2"	34,6

* Others on request.



MATERIALS			
POS. N°	DESIGNATION	IS40TS	IS40TI
1	Body	A216 WCB / 1.0619; GP240GH / 1.0619	A351 CF8M / 1.4408
2	Centering ring	AISI 304 / 1.4301	AISI 304 / 1.4301
3	Cover	AISI 304 / 1.4301	AISI 304 / 1.4301
4	* Gasket	Stainless steel / Graphite	Stainless steel / Graphite
5	* Strainer screen	AISI 304 / 1.4301	AISI 304 / 1.4301
6	Studs	Steel	Stainless steel A2-70
7	Nuts	Steel	Stainless steel A2-70

* Available spare parts.

**PIPELINE T STRAINERS
IS40T
(ASME)**

DESCRIPTION

The IS40T cast steel T strainers are applicable to all types of steam, water, oil and air systems. Their purpose is to protect traps, regulating valves, piping, etc. from dirt and impurities, which are often the cause of damage and consequent energy loss of fluid systems.

OPTIONS: Different screen aperture sizes.
Drain plug or drain valve in strainer cap.

USE: Saturated steam, water, oil, air and other fluids compatible with the construction materials.

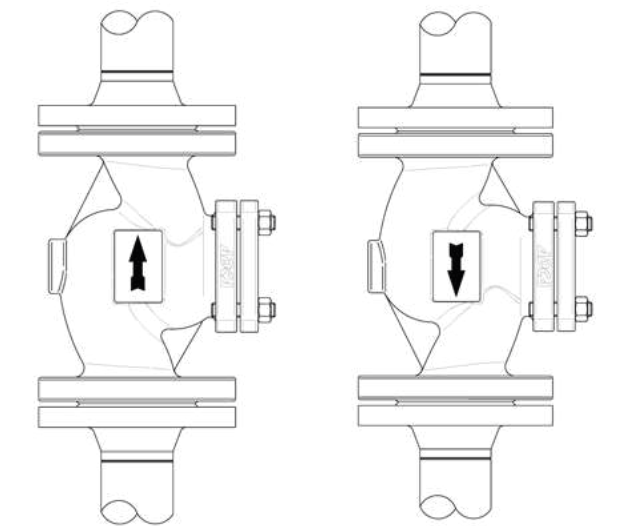
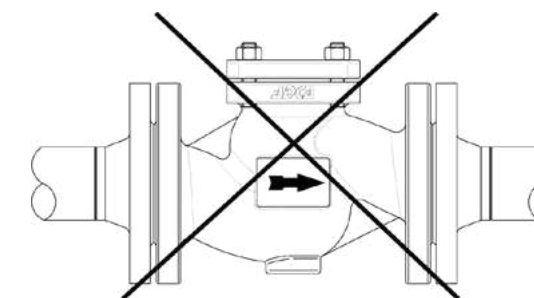
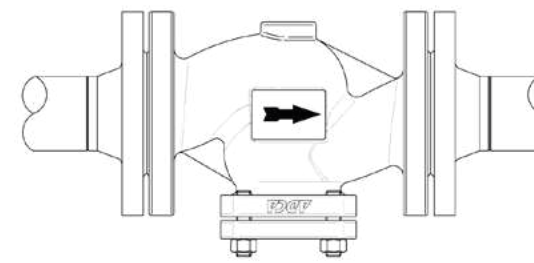
AVAILABLE MODELS: IS40TS – carbon steel.

SIZES: 1" to 4".

SCREENS: 0,5 mm aperture – 1".
1,5 mm aperture – from 1 1/2" to 3".
2 mm aperture – 4".

CONNECTIONS: Flanged ASME B16.5 Class 150 or 300.

INSTALLATION: Horizontal or vertical installation.
See IMI – Installation and maintenance instructions.



CE MARKING – GROUP 2 (PED – European Directive)

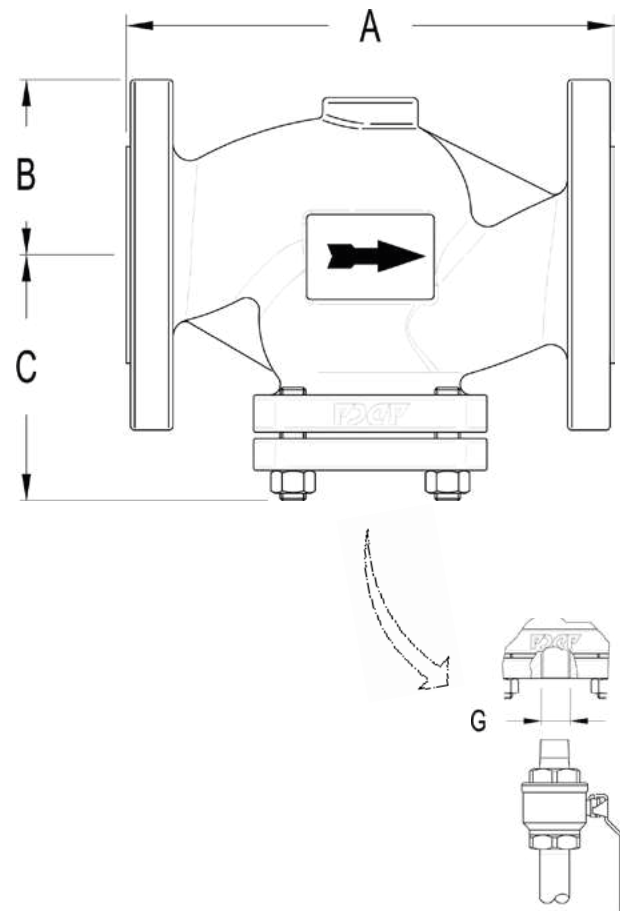
CLASS 150	CLASS 300	Category
1" to 2"	1"	SEP
3" to 4"	1 1/2" to 4"	1 (CE marked)

BODY LIMITING CONDITIONS *			
CLASS 150		CLASS 300	
ALLOWABLE PRESSURE	RELATED TEMPERATURE	ALLOWABLE PRESSURE	RELATED TEMPERATURE
19,3 bar	- 10 °C / 50 °C	50 bar	- 10 °C / 50 °C
15,8 bar	150 °C	43,9 bar	200 °C
12,1 bar	250 °C	36,9 bar	350 °C
8,4 bar	350 °C	34,6 bar	400 °C

* Rating according to EN 1759-1:2004.

DIMENSIONS (mm)						
SIZE	A	B		C	G *	WEIGHT (kg)
		CLASS 150	CLASS 300			
1"	197	54	62	80	1/2"	5,3
1 1/2"	235	63,5	78	105	1/2"	9,6
2"	267	76	82,5	115	1/2"	14
3"	317	95	105	155	1/2"	27,9
4"	368	114,5	127	165	1/2"	34,6

* Others on request.



MATERIALS		
POS. N°	DESIGNATION	MATERIAL
1	Body	A216 WCB / 1.0619; GP240GH / 1.0619
2	Centering ring	AISI 304 / 1.4301
3	Cover	AISI 304 / 1.4301
4	* Gasket	Stainless steel / Graphite
5	* Strainer screen	AISI 304 / 1.4301
6	Studs	Steel
7	Nuts	Steel

* Available spare parts.

