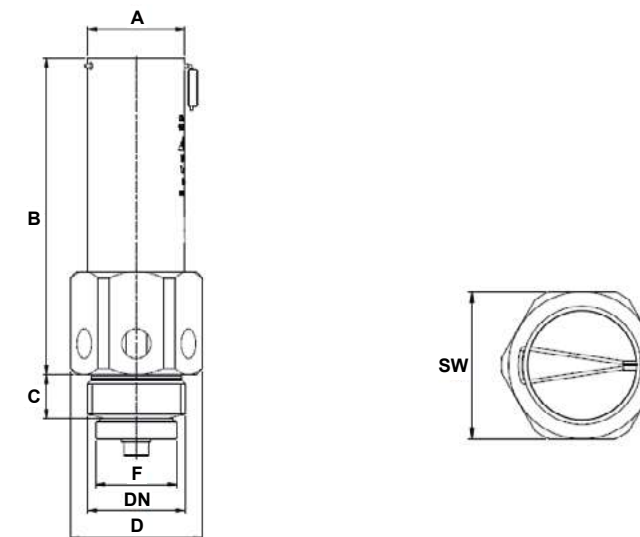
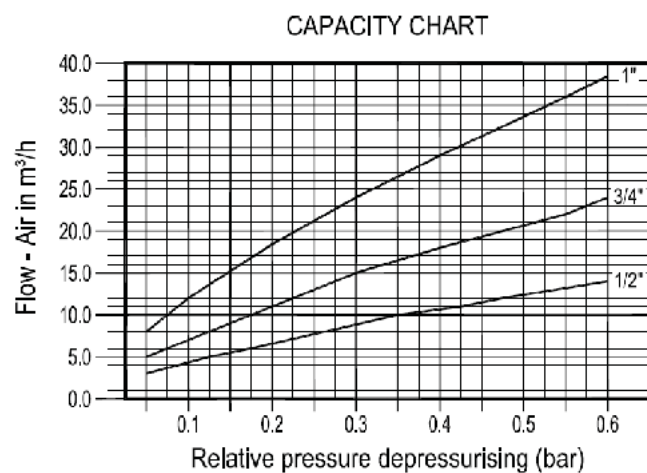
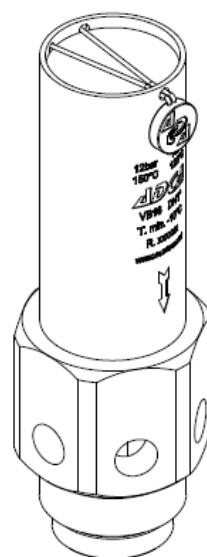


**VACUUM BREAKER  
VB16**

**DESCRIPTION**

The VB16 vacuum breakers are simple and reliable devices that automatically relieve or "break" an unwanted vacuum condition, restoring the atmospheric pressure. This device is particularly suitable for steam heated units of small and medium volume, such as heat exchangers, heating coils, calorifiers, jacketed kettles, steam boilers, etc.

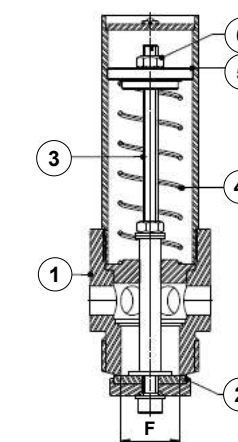
- OPTIONS:** Stainless steel inlet deflector.
- USE:** Saturated steam and other gases compatible with the construction.
- AVAILABLE MODELS:** VB16 – stainless steel.
- SIZES:** 1/2" to 1".
- SET PRESSURE RANGES:** 0,05 – 0,10 bar; 0,09 – 0,20 bar; 0,19 – 0,30 bar; 0,29 – 0,40 bar; 0,39 – 0,50 bar.
- CONNECTIONS:** Male threaded ISO 228 G.
- INSTALLATION:** Vertical installation. See IMI – Installation and maintenance instructions.
- LIMITING CONDITIONS:** 12 bar at 150 °C.  
16 bar at 120 °C.



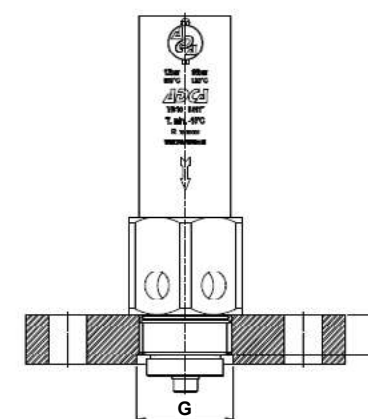
DIMENSIONS (mm)									
SIZE	A	B	C	D	E	F	G	SW	WEIGHT (kg)
1/2"	26	82	11	35	18	12,5	23	32	0,25
3/4"	33	85	13	39	21	16,5	28	36	0,34
1"	33	108	15	45	27,5	20	35	41	0,51

MATERIALS		
POS. N°	DESIGNATION	MATERIAL
1	Body	AISI 316 / 1.4401
2	* Valve	AISI 316 / 1.4401 ; Viton
3	Stem	AISI 304 / 1.4301
4	* Spring	AISI 302 / 1.4300
5	Spring guide	AISI 304 / 1.4301
6	Nut	Stainless steel A2-70

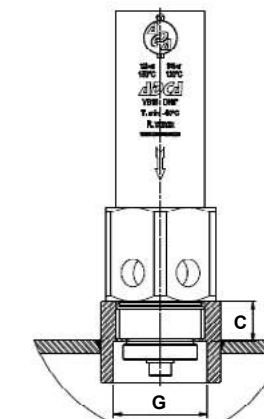
\* Available spare parts.



**TYPICAL INSTALLATION**



With flange



With socket

## VACUUM BREAKER VB21

### DESCRIPTION

The VB21 vacuum breakers are simple and reliable devices that automatically relieve or “break” an unwanted vacuum condition, restoring the atmospheric pressure.

This device is particularly suitable for steam heated units of small and medium volume, such as heat exchangers, heating coils, calorifiers, jacketed kettles, steam boilers, etc.

USE: Saturated and superheated steam.

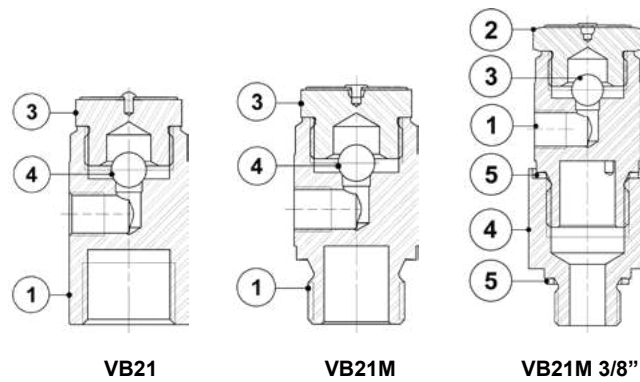
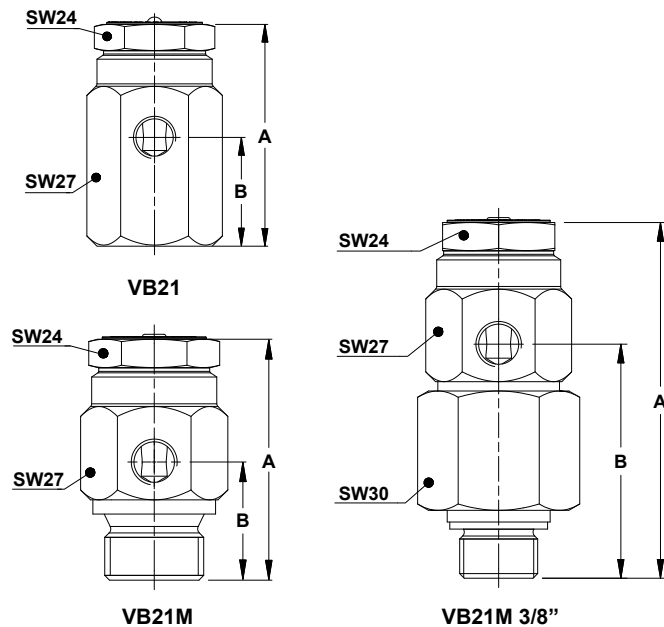
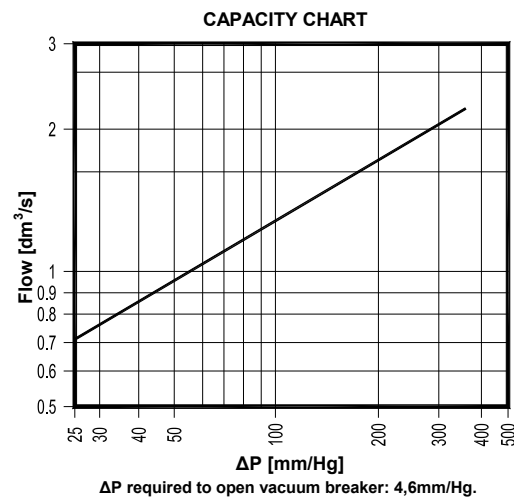
AVAILABLE MODELS: VB21 – female threaded.  
VB21M – male threaded.

SIZES: 1/2" x 1/8".

CONNECTIONS: System: vertical connection 1/2".  
Air inlet: horizontal connection 1/8".  
VB21 – female threaded ISO 7 Rp or NPT.  
VB21M – male threaded ISO 228 G.

INSTALLATION: Vertical installation angled connection.  
See IMI – Installation and maintenance instructions.

LIMITING CONDITIONS: 13 bar at 400 °C.  
21 bar at 220 °C.



DIMENSIONS (mm)				
MODEL	SIZE	A	B	WEIGHT (kg)
VB21	1/2"	51	25	0,17
VB21M	1/2"	51	25	0,13
VB21M *	3/8"	76	50	0,29

MATERIALS		
POS. N°	DESIGNATION	MATERIAL
1	Body	AISI 303 / 1.4305
2	Cover	AISI 303 / 1.4305
3	* Ball valve	Stainless steel
4	Adapter fitting	AISI 303 / 1.4305
5	* Gasket	Copper

\* Special version with adapter fitting 1/2" x 3/8" ISO 228 or NPT.

\* Available spare parts.