

HYGIENIC STEAM FILTER ISH10i

DESCRIPTION

The ISH10i high efficiency filters are used to remove contaminated particles from gases such as steam and compressed air. The optimized construction of these units offers low differential pressure at high flow rates. All sizes are built in two halves and are joined by a sanitary clamp ferrule according to DIN 32676 Series A. The replaceable filter elements are made of sintered austenitic stainless steel and available with 1, 5 or 25 micron absolute rating.

MAIN FEATURES

Several retention rates available.
Good durability against aggressive gases.
Porosity level is more than 50% ensuring high particle and dirt load capacity as well as good flow rate at a low differential pressure.
Regeneration by ultrasonic cleaning.

STANDARD SURFACE FINISH

Internal wetted parts: ≤ 0,51 micron Ra – SF1.
External: ≤ 0,76 micron Ra – SF3.
Other surface conditions see IS PV20.00 E – Technical information.
Ultrasonic cleaning.

OPTIONS: Air vent and condensate drain connections.
Other connections and dimensions.
Vertical installation design (ISV10i).

USE: Steam, compressed air and other gases.

AVAILABLE MODELS: ISH10i.

RETENTION RATES: 1, 5 and 25 micron.

SIZES: 1/2" to 2"; DN 10 to DN 50.

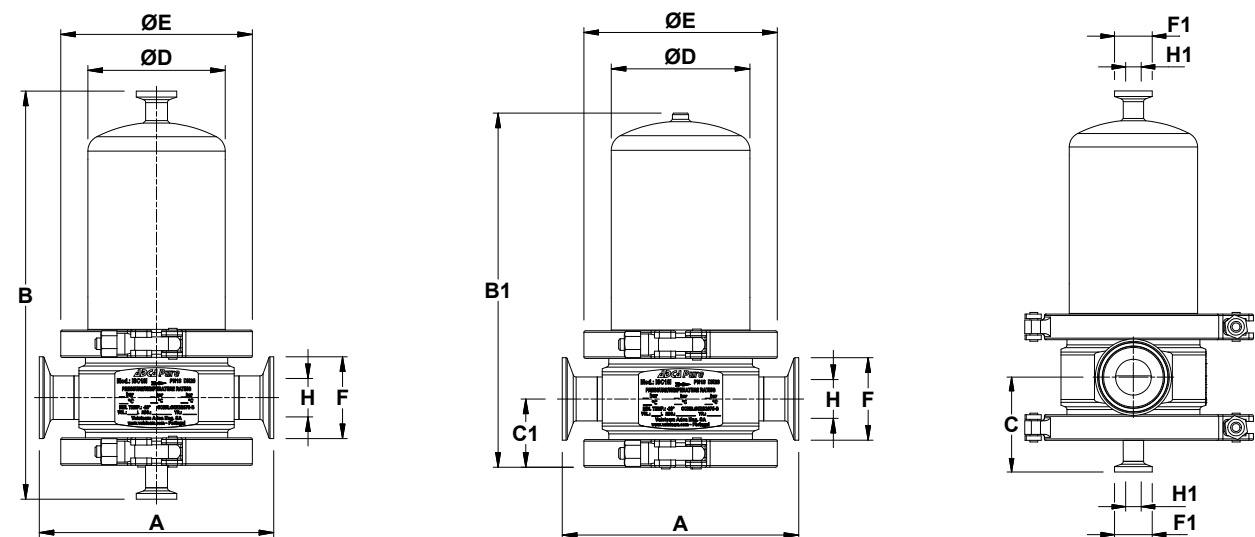
CONNECTIONS: ASME BPE, DIN and ISO clamp ferrules.
Others on request.

INSTALLATION: Horizontal installation always with the drain connection pointing downwards.
See IMI – Installation and maintenance instructions.

CE MARKING – GROUP 2 (PED – European Directive)	
Ps 16 bar	Category
1/4" to 2"L – DN 10 to DN 50L	SEP
2"H – DN 50H	1 (CE marked)



ISV10i – Vertical inlet/outlet



DIMENSIONS – ASME BPE (mm)															
SIZE *	A	B	B1	C	C1	D	E	F	F1	H	H1	ISFE SIZE	ISFE QTY.	VOL. (L)	WGT. (kg)
1/2"	140	204	154	55	34	70	104	25	25	9,4	9,4	0310	1	0,31	3,3
3/4"	140	237	187	58	37	70	104	25	25	15,75	9,4	0420	1	0,37	3,6
1"	159	272	222	63	42	85	119	50,5	25	22,1	9,4	0520	1	0,84	5,3
1 1/2"	161	339	288	70	49	85	119	50,5	25	34,8	9,4	0725	1	1,22	6,3
2"L	174	418	369	73	52	104	134	64	25	47,5	9,4	1030	1	2,15	7,9
2"H	174	545	496	73	52	104	134	64	25	47,5	9,4	1530	1	3,56	8,7

DIMENSIONS – DIN (mm)															
SIZE *	A	B	B1	C	C1	D	E	F	F1	H	H1	ISFE SIZE	ISFE QTY.	VOL. (L)	WGT. (kg)
DN 10	140	204	154	55	34	70	104	34	34	10	10	0310	1	0,31	3,4
DN 15	140	237	187	58	37	70	104	34	34	16	10	0420	1	0,37	3,7
DN 20	159	272	222	63	42	85	119	34	34	20	10	0520	1	0,8	5,2
DN 25	174	272	222	63	42	85	119	50,5	34	26	10	0525	1	0,81	5,2
DN 32	176	344	295	70	49	85	119	50,5	34	32	10	0725	1	1,19	6,4
DN 40	189	344	295	73	52	104	134	50,5	34	38	10	0730	1	1,64	7,6
DN 50L	189	418	369	73	52	104	134	64	34	50	10	1030	1	2,32	7,8
DN 50H	189	545	496	73	52	104	134	64	34	50	10	1530	1	3,64	8,6

Remark: Clamp ferrules according to DIN 32676-A (for pipes DIN 11866-A – DIN 11850-2).

DIMENSIONS – ISO (mm)															
SIZE *	A	B	B1	C	C1	D	E	F	F1	H	H1	ISFE SIZE	ISFE QTY.	VOL. (L)	WGT. (kg)
DN 08	140	204	155	55	34	70	104	25	25	10,3	10,3	0310	1	0,35	3,3
DN 10	140	237	187	55	34	70	104	25	25	14	10,3	0410	1	0,45	3,5
DN 15	140	242	192	58	37	70	104	50,5	25	18,1	10,3	0420	1	0,46	3,7
DN 20	145	272	222	63	42	85	119	50,5	25	23,7	10,3	0520	1	0,85	5,1
DN 25	145	282	232	63	42	85	119	50,5	25	29,7	10,3	0525	1	0,89	5,1
DN 32	147	344	294	70	49	85	119	64	25	38,4	10,3	0725	1	1,26	6,3
DN 40	160	344	295	73	52	104	134	64	25	44,3	10,3	0730	1	1,95	7,6
DN 50L	173	433	384	78	57	104	134	77,5	25	56,3	10,3	1030	1	2,69	8,4
DN 50H	173	560	511	78	57	104	134	77,5	25	56,3	10,3	1530	1	3,71	9,2

* Suffix L corresponds to low capacity design; suffix H corresponds to high capacity design.

Remarks: clamp ferrules according to DIN 32676-B (for pipes DIN 11866-B – ISO 1127).

Other sizes on request.

LIMITING CONDITIONS		
Maximum allowable pressure	16 bar	
Maximum allowable temperature	200 °C	
Minimum allowable temperature	-20 °C	
Maximum operating temperature	EPM or EPDM filter element seals	150 °C
	EPM or EPDM filter element seals (steam)	180 °C
	Fluoraz® filter element seals	200 °C
Minimum operating temperature	0 °C	
Maximum cold hydraulic test pressure	28 bar	
Maximum differential pressure	5 bar	

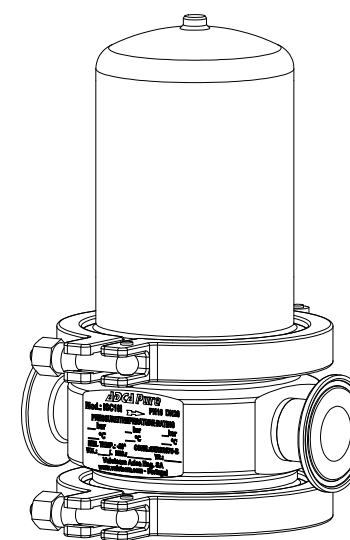
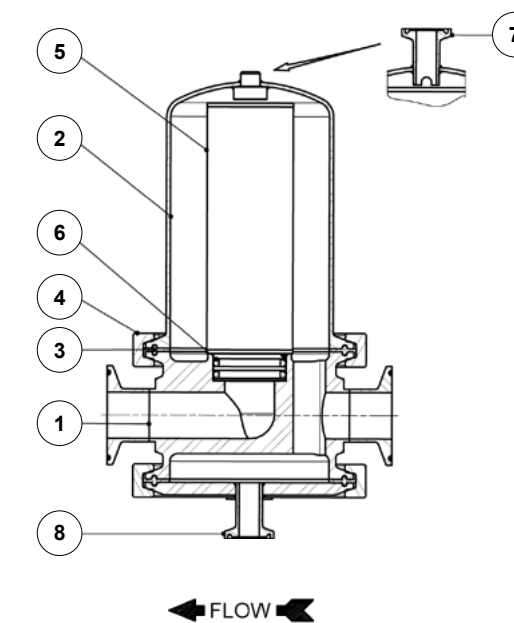
Remark: maximum recommended pressure drop of 0,07 bar.

MATERIALS		
POS. N°	DESIGNATION	MATERIAL
1	Filter housing	AISI 316L / 1.4404
2	Filter housing cover	AISI 316L / 1.4404
3	* Seal	PTFE / FKM
4	Safety clamp	AISI 316 / 1.4401
5	* Filter element	Sintered AISI 316L
	Filter end caps	AISI 304 / 1.4301
6	* Filter seal o-rings	EPDM; EPM; Fluoraz®
7	Air vent connection	AISI 316L / 1.4404
8	Drain connection	AISI 316L / 1.4404

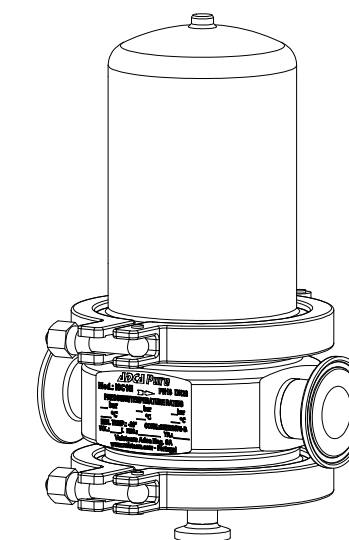
* Available spare parts.

FDA / USP Class VI seals certificate on request.

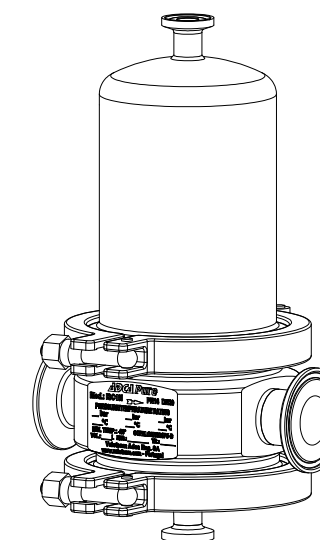
All filters have a serial number. In case of non-standard filters this number must be supplied if spare parts are ordered.



Filter without bottom drain or top vent connections



Filter with bottom drain connection for clean steam applications



Filter with air vent and bottom drain connections

ORDERING CODES – ISH10i FILTER HOUSING									
Filter model	ISH10i	.	T	D	X	.	08		
ISH10i – AISI 316L / 1.4404 filter housing	ISH10i								
Housing seal material									
PTFE / FKM			T						
Pipe connection									
Clamp ferrule ASME BPE				D					
Clamp ferrule DIN (DIN 32676-A)				F					
Clamp ferrule ISO (DIN 32676-B)				E					
Optional connections									
Without vent or drain connection					X				
With condensate drain					1				
With condensate drain and vent					2				
Size									
1/4" or DN 08								08	
3/8" or DN 10								10	
1/2" or DN 15								15	
...								...	
2"L or DN 50L								50L	
2"H or DN 50H								50H	
Special / Extras									
Full description or additional codes have to be added in case of non-standard combination									E

ORDERING CODES – FILTER ELEMENT									
Filter element model	ISFE	.	X	0310	.	01			
ISFE – AISI 316L / 1.4404 filter element	ISFE								
Filter seal o-rings									
Without o-rings			X						
EPDM			E						
EPM			P						
Fluoraz®			F						
Filter element size according to housing connections									
1/2" ASME BPE		DN 10 DIN		DN 08 ISO		0310			
–		–		DN 10 ISO		0410			
3/4" ASME BPE		DN 15 DIN		DN 15 ISO		0420			
1" ASME BPE		DN 20 DIN		DN 20 ISO		0520			
–		DN 25 DIN		DN 25 ISO		0525			
1 1/2" ASME BPE		DN 32 DIN		DN 32 ISO		0725			
–		DN 40 DIN		DN 40 ISO		0730			
2"L ASME BPE		DN 50L DIN		DN 50L ISO		1030			
2"H ASME BPE		DN 50H DIN		DN 50H ISO		1530			
Retention rate									
1 micron								01	
5 micron								05	
25 micron								25	
Special / Extras									
Full description or additional codes have to be added in case of non-standard combination									E

Order example:
 1 ADCAPure filter housing ISH10i with PTFE seals and clamp ferrules ASME BPE 2"L – Code: ISH10i.TDX.50L
 1 ISFE filter element with 5 micron retention rate for the above mentioned filter – Code: ISFE.P1030.05
 Remark: we recommend a second filter element set as a spare part to ensure minimum downtime when replacing the one in use after saturation.

**HYGIENIC STEAM FILTER
ISC16**

DESCRIPTION

The ISC16 high efficiency filters are used to remove contaminated particles from gases such as steam and compressed air. The optimized construction of these units offers low differential pressure at high flow rates. All sizes are built in two halves. Up to 3" / DN 80 they are joined by a food industry fitting according to DIN 11851 and the larger sizes DN 100 to DN 200 by flat flanges fixed with bolts and nuts. The replaceable filter elements are made of sintered austenitic stainless steel.

MAIN FEATURES

Several retention rates available.
 Good durability against aggressive gases.
 Porosity level is more than 50% ensuring high particle and dirt load capacity as well as good flow rate at a low differential pressure.
 Regeneration by ultrasonic bath.

STANDARD SURFACE FINISH

Internal parts: ≤ 0,76 micron Ra – SF3.
 External: Satin bead blast finish – 1,6 micron Ra.
 Other surface conditions see IS PV20.00 E – Technical information.

- USE:** Steam, compressed air and other gases (Group 2).
- AVAILABLE MODELS:** ISC16 – AISI 304 / 1.4301 stainless steel.
 ISC16I – AISI 316L / 1.4404 stainless steel.
- RETENTION RATES:** 1, 5 and 25 micron.
- SIZES:** 1/4" to 3".
 DN 10 to DN 80 (DN 100 to DN 200 on request).
- CONNECTIONS:** Female threaded ISO 7 Rp or NPT.
 Flanged EN 1092-1 PN 16.
 Flanged ASME B16.5 Class 150.
 Others on request.
- INSTALLATION:** Horizontal installation always with the drain connection pointing downwards.
 See IMI – Installation and maintenance instructions.

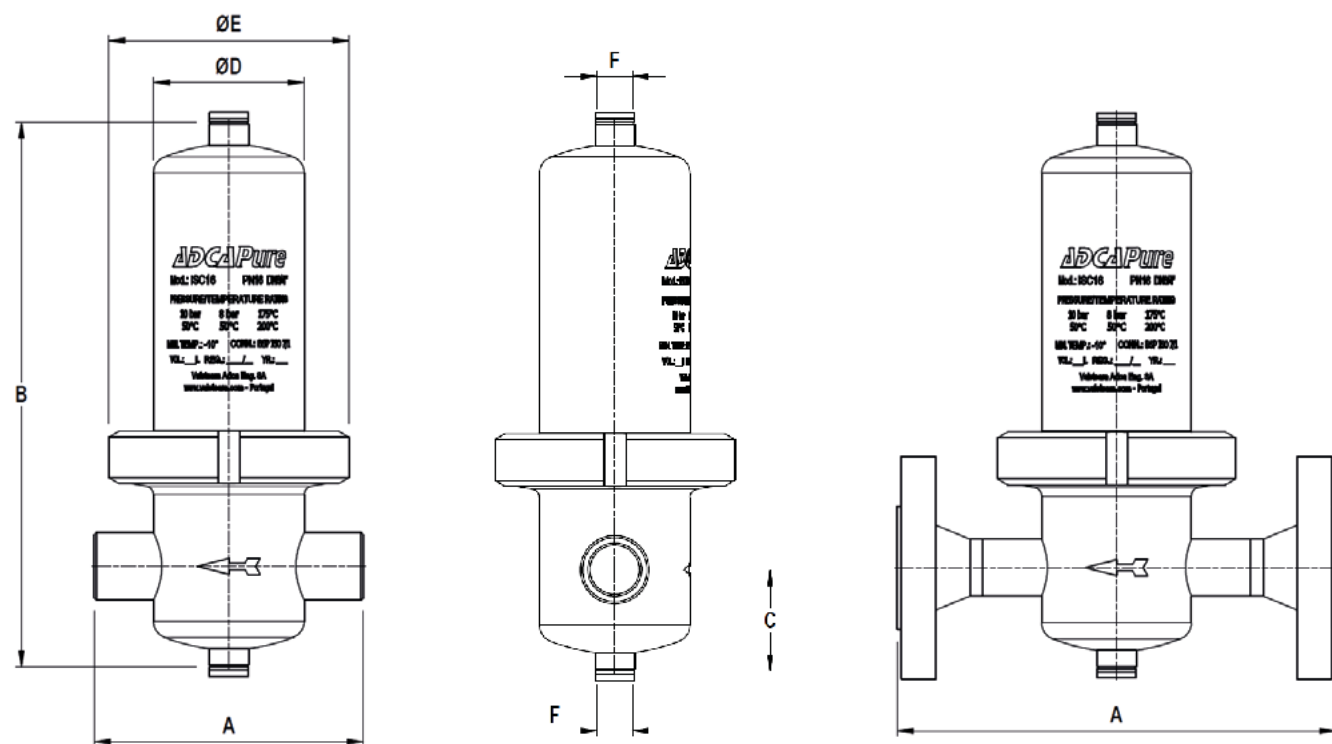


CE MARKING – GROUP 2 (PED – European Directive)		
Ps 16 bar	Ps 12 bar	Category
1/4" to 1 1/2" – DN 10 to 40	–	SEP
2"L to 3"L – DN 50L to 80L	–	1 (CE marked)
–	3"H – DN 80H	2 (CE marked)

LIMITING CONDITIONS

Maximum allowable pressure	DN 10 to 80L	16 bar
	DN 80H	12 bar
Maximum allowable temperature		200 °C
Minimum allowable temperature		- 20 °C
Maximum operating pressure	EPM	8,5 bar @ 178 °C
	FLUORAZ	10 bar @ 200 °C
Minimum operating temperature		0 °C
Maximum differential pressure		5 bar
Maximum cold hydraulic test pressure	DN 10 to 80L	20,8 bar
	DN 80	15,6 bar

Remark: maximum recommended pressure drop of 0,07 bar.



DIMENSIONS (mm) ISO

SIZE *	A THREADED	A TUBE WELD	A PN 16	A CLASS 150	B	C	D	E	F	VOL. ** (L)	WEIGHT ** (kg)
1/4" – DN 08	108	108	–	–	220	55	70	112	1/4"	0,6	1,8
3/8" – DN 10	108	108	180	–	248	55	70	112	1/4"	0,7	1,9
1/2" – DN 15	108	108	180	203	248	55	70	112	1/4"	0,7	2
3/4" – DN 20	125	125	202	230	272	55	70	112	1/4"	0,8	2,2
1" – DN 25	125	125	212	247	298	74	85	127	1/4"	1,3	2,8
1 1/4" – DN 32	140	140	220	254	350	74	85	127	1/4"	1,6	3,2
1 1/2" – DN 40	170	170	254	294	388	93	104	148	1/4"	2,8	4,6
2"L – DN 50L	170	170	260	297	463	93	104	148	1/4"	3,2	4,7
2"H – DN 50H	170	170	260	297	590	93	104	148	1/4"	4,5	5,3
2 1/2" – DN 65	216	216	306	356	740	107	129	178	1/4"	8,9	8,3
3"L – DN 80L	216	216	316	356	1002	111	129	178	1/4"	12,2	9,7
3"H – DN 80H	240	240	340	380	1027	113	154	210	1/4"	17,8	13,3

* Suffix L corresponds to low capacity design; suffix H corresponds to high capacity design.

** Volume and weight correspond to flanged EN 1092-1 PN 16 design. Other designs may have slightly different values.

Remark: larger sizes up to DN 200 on request.

MATERIALS

POS. Nº	DESIGNATION	ISC16	ISC16I
1	Filter housing bowl	AISI 304 / 1.4301	AISI 316L / 1.4404
	Flanges	AISI 304 / 1.4301 **	AISI 316L / 1.4404 **
2	Filter housing cover	AISI 304 / 1.4301	AISI 316L / 1.4404
3	* Seal	EPM, FLUORAZ	EPM, FLUORAZ
4	Closing ring	AISI 304 / 1.4301	AISI 304 / 1.4301
5	* Filter element	Sintered AISI 316L	Sintered AISI 316L
	Filter end caps	AISI 304 / 1.4301	AISI 304 / 1.4301
6	* Filter seal o-rings (2)	EPM; FLUORAZ	EPM; FLUORAZ
7	Plug	AISI 304 / 1.4301	AISI 304 / 1.4301
8	Gasket	PTFE	PTFE

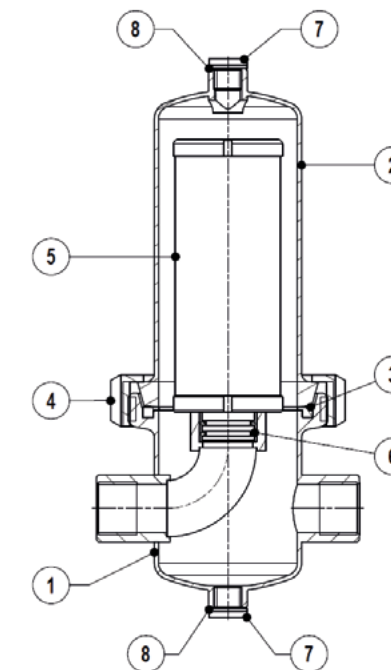
* Available spare parts; ** Can be supplied in the following materials:

ISC16: 1.4307 / AISI 304L; 1.4541 / AISI 321; 1.4401 / AISI 316; 1.4404 / AISI 316L; 1.4571 / AISI 316Ti.

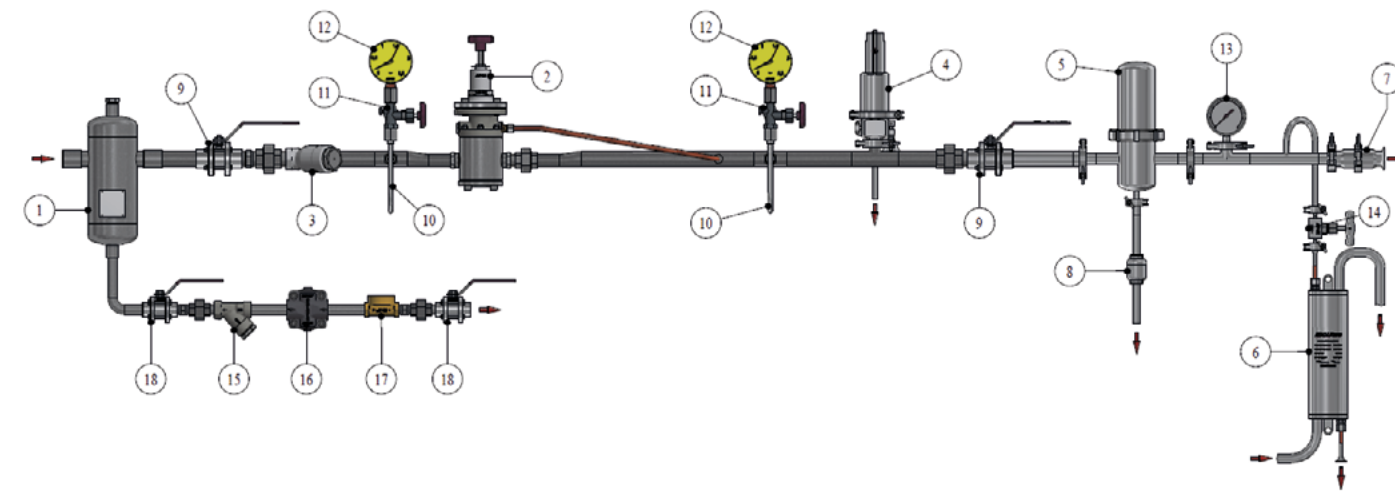
ISC16I: 1.4404 / AISI 316L; 1.4571 / AISI 316Ti.

FDA seals certificate on request.

All filters have a serial number. In case of non-standard filters this number must be supplied if spare parts are ordered.



TYPICAL INSTALLATION – FILTERED STEAM PRESSURE REDUCING STATION



MATERIALS

POS. Nº	DESIGNATION	POS. Nº	DESIGNATION
1	ADCA S16S Steam centrifugal humidity separator	10	ADCA GSU Gauge siphon
2	ADCA PRV47 Pilot operated pressure regulator	11	ADCA GC400 Gauge cock
3	ADCA IS140 Y Strainer	12	ADCA MAN100 Pressure gauge
4	ADCAPure Safety valve	13	ADCAPure SMAN-63R Pressure gauge
5	ADCAPure ISC16 Culinary steam filter	14	ADCAPure NV400P Sanitary needle valve
6	ADCAPure SC32P Sample cooler	15	ADCA IS140 Y Strainer
7	ADCAPure SRT10	16	ADCA FLT17 Float and thermostatic steam trap
8	ADCA TSS22 Steam trap	17	ADCA SW12 Sight glass
9	ADCA M311 Three piece ball valve	18	ADCA M3S1 Three piece ball valve

ORDERING CODES – ISC16 FILTER HOUSING							
Filter model	ISC16	.	P	A	.	08	
ISC16 – AISI 304 / 1.4301 filter housing	ISC16						
ISC16I – AISI 316L / 1.4404 filter housing	ISC16I						
Housing seal material							
EPM (up to 180 °C)			P				
FLUORAZ (up to 200 °C)			F				
Pipe connection							
Female threaded ISO 7 Rp				A			
Female threaded NPT ASME B1.20.1				C			
Tube weld				H			
Flanged EN 1092-1 PN 16				L			
Flanged ASME B16.5 Class 150				U			
Size							
1/4" or DN 08							08
3/8" or DN 10							10
...							...
2"L or DN 50L							50L
2"H or DN 50H							50H
...							...
3"L or DN 80L							80L
3"H or DN 80H							80H
Special / Extras							
Full description or additional codes have to be added in case of non-standard combination							E

ORDERING CODES – FILTER ELEMENT							
Filter element model	ISFE	.	P	1030	.	01	
ISFE – AISI 316L / 1.4404 filter element	ISFE						
Filter to housing sealing o-rings							
Without sealing o-rings			X				
EPM (up to 180 °C)			P				
FLUORAZ (up to 200 °C)			F				
Filter size according to housing DN connection							
1/4" or DN 08				0310			
3/8" or DN 10				0410			
1/2" or DN 15				0420			
3/4" or DN 20				0520			
1" or DN 25				0525			
1 1/4" or DN 32				0725			
1 1/2" or DN 40				0730			
2"L or DN 50L				1030			
2"H or DN 50H				1530			
2 1/2" or DN 65				2030			
3"L or DN 80L				3030			
3"H or DN 80H				3050			
Retention rate							
1 micron							01
5 micron							05
25 micron							25
Special / Extras							
Full description or additional codes have to be added in case of non-standard combination							E

Order example:
 1 ADCAPure filter housing ISC16 with EPM seals, female threaded NPT, 2"L – Code: ISC16.PC.50L
 1 ISFE filter element with 5 micron retention rate for the above mentioned filter – Code: ISFE.P1030.05
 Remark: it is recommended to always have a second filter element, in order to ensure minimum downtime when replacing the one in use after saturation.

**CULINARY STEAM FILTER
ISC20i**

DESCRIPTION

The ISC20i high efficiency filters are used to remove contaminated particles from gases such as steam and compressed air. The optimized construction of these units offers low differential pressure at high flow rates. All sizes are built in two halves, with 1/4" to 3" being joined by a sanitary clamp ferrule according to DIN 32676 Series A. Whereas 4" to 6" are joined by bolts and nuts. All sizes include plugged drain and vent connections. The replaceable filter elements are made of sintered austenitic stainless steel and available with 1, 5 or 25 micron absolute rating.

MAIN FEATURES

Several retention rates available.
 Good durability against aggressive gases.
 Porosity level is more than 50% ensuring high particle and dirt load capacity as well as high flow rates at a low differential pressure.
 Regeneration by ultrasonic cleaning.

STANDARD SURFACE FINISH

Internal wetted parts upstream of filter elements:
 ≤ 1,6 micron Ra for model ISC20i.
 As casted for model ISC20i2.
 Internal wetted parts downstream of filter elements:
 ≤ 0,76 micron Ra – SF3, for all models.
 External:
 Satin bead blast finish. As casted body for model ISC20i2.
 Other surface conditions see IS PV20.00 E – Technical information.

USE: Steam, compressed air and other gases.

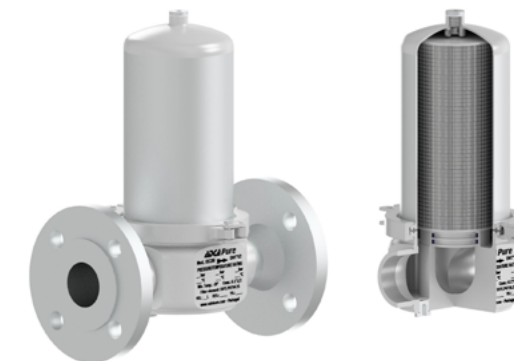
AVAILABLE MODELS: ISC20i – AISI 316L / 1.4404 stainless steel.
 ISC20i2 – CF8M / 1.4408 body and AISI 316L / 1.4404 cover.

RETENTION RATES: 1, 5 and 25 micron.

SIZES: 1/4" to 6"; DN 10 to DN 150.

CONNECTIONS: Female threaded ISO 7 Rp or NPT.
 Tube weld (TW).
 Flanged EN 1092-1 PN 16.
 Flanged ASME B16.5 Class 150.
 Others on request.

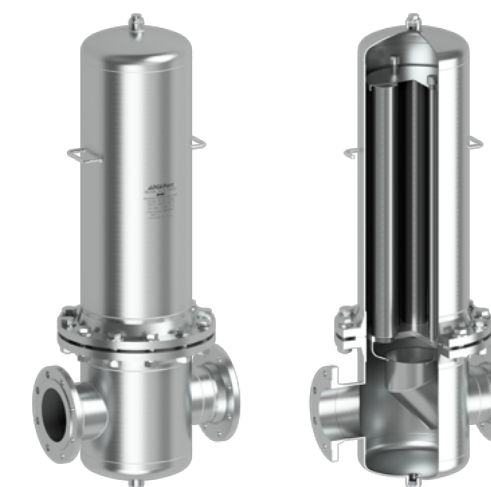
INSTALLATION: Horizontal installation always with the drain connection pointing downwards.
 See IMI – Installation and maintenance instructions.



**ISC20i (AISI 316L body)
1/4" to 3" – DN 10 to DN 80**



**ISC20i2 (CF8M body)
3/4" to 3" – DN 20 to DN 80**



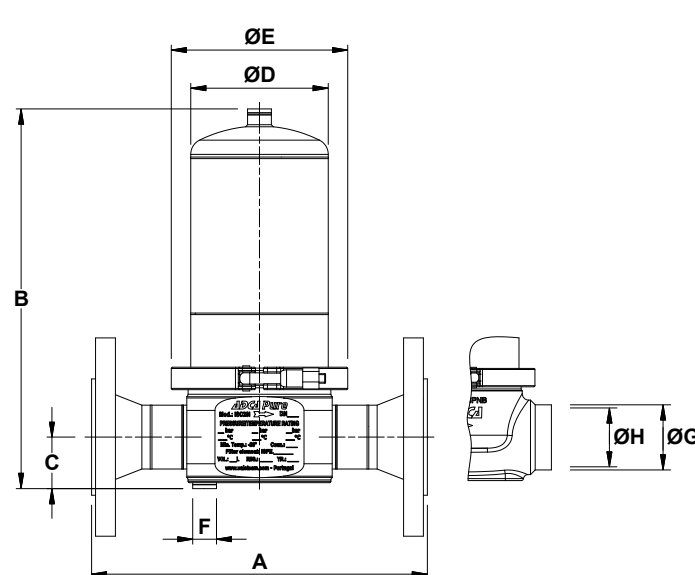
**ISC20i (AISI 316L body)
4" and 6" – DN 100 and DN 150**

CE MARKING – GROUP 2 (PED – European Directive)			
Ps 16 bar	Ps 12 bar	Ps 10 bar	Category
1/4" to 2"L – DN 10 to DN 50L	–	–	SEP
2"H to 3"L – DN 50H to DN 80L	3"H – DN 80H	–	1
–	–	4"L to 6"L – DN 100L to DN 150L	2
–	–	6"H – DN 150H	3

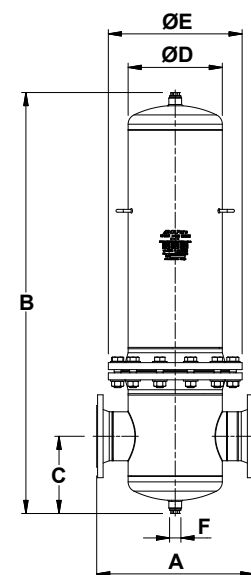
LIMITING CONDITIONS		
Maximum allowable pressure	1/4" to 3"L – DN 10 to DN 80L	16 bar
	3"H – DN 80H	12 bar
	4"L to 6"H – DN 100L to DN 150L	10 bar
Maximum allowable temperature		200 °C
Minimum allowable temperature		-20 °C
Maximum operating temperature	EPM or EPDM filter element seals	150 °C
	EPM or EPDM filter element seals (steam)	180 °C
	Fluoraz® filter element seals	200 °C
Minimum operating temperature		0 °C
Maximum cold hydraulic test pressure	1/4" to 2 1/2" – DN 10 to DN 65	28 bar
	3"L to 3"H – DN 80L to DN 80H	24,5 bar
	4"L to 6"H – DN 100L to DN 150L	20 bar
Maximum differential pressure		5 bar

Remark: maximum recommended pressure drop of 0,07 bar.

DIMENSIONS



1/4" to 3" – DN 10 to DN 80



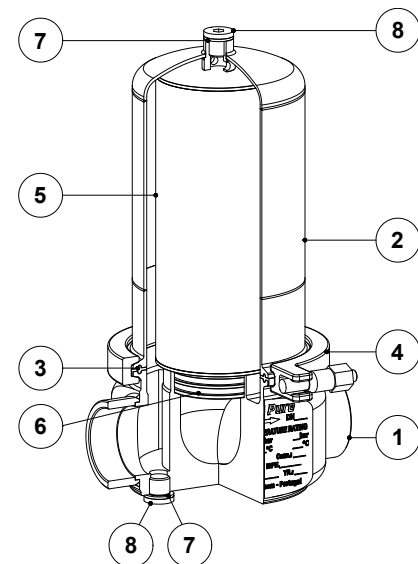
4" and 6" – DN 100 and DN 150

DIMENSIONS – ISC20i (mm)															
SIZE *	A THREADED	A ** TUBE WELD	A PN 16	A CLASS 150	B	C	ØD	ØE	F	ØG	ØH	ISFE SIZE	ISFE QTY.	VOL. *** (L)	WGT. *** (kg)
1/4"	99	99	–	–	145	23	70	104	1/4"	13,5	10,3	0310	1	0,4	2,3
3/8" – DN 10	101	101	180	–	173	23	70	104	1/4"	17,2	14	0410	1	0,5	3,7
1/2" – DN 15	107	108	180	203	180	25	70	104	1/4"	21,3	15,8	0420	1	0,5	4,3
3/4" – DN 20	130	130	202	230	210	28	85	118	1/4"	26,7	21	0520	1	0,9	6
1" – DN 25	136	136	212	247	217	31	85	118	1/4"	33,4	27,9	0525	1	1	6,9
1 1/4" – DN 32	142	142	220	254	279	36	85	118	1/4"	42,2	36,7	0725	1	1,1	8,9
1 1/2" – DN 40	154	154	254	294	287	39	104	133	1/4"	48,3	42,8	0730	1	2,2	10,6
2"L – DN 50L	163	163	260	297	374	45	104	133	1/4"	60,3	54,8	1030	1	2,8	13
2"H – DN 50H	163	163	260	297	501	45	104	133	1/4"	60,3	54,8	1530	1	3,9	14
2 1/2" – DN 65	–	216	306	356	637	52	129	170	1/4"	76,1	68,9	2030	1	8,2	21,7
3"L – DN 80L	–	240	340	380	911	60	129	170	1/4"	88,9	82,5	3030	1	11	28,6
3"H – DN 80H	–	240	340	380	918	60	154	198	1/4"	88,9	82,5	3050	1	16	30,4
4"L – DN 100L	–	–	410	395	1070	214	219	340	1"	–	–	2030	3	34,6	65,2
4"H – DN 100H	–	–	410	395	1331	214	219	340	1"	–	–	3030	3	43,7	73,5
6"L – DN 150L	–	–	480	484	1409	256	273	405	1"	–	–	3030	4	74,1	112
6"H – DN 150H	–	–	540	534	1446	265	324	460	1"	–	–	3030	6	106,1	138

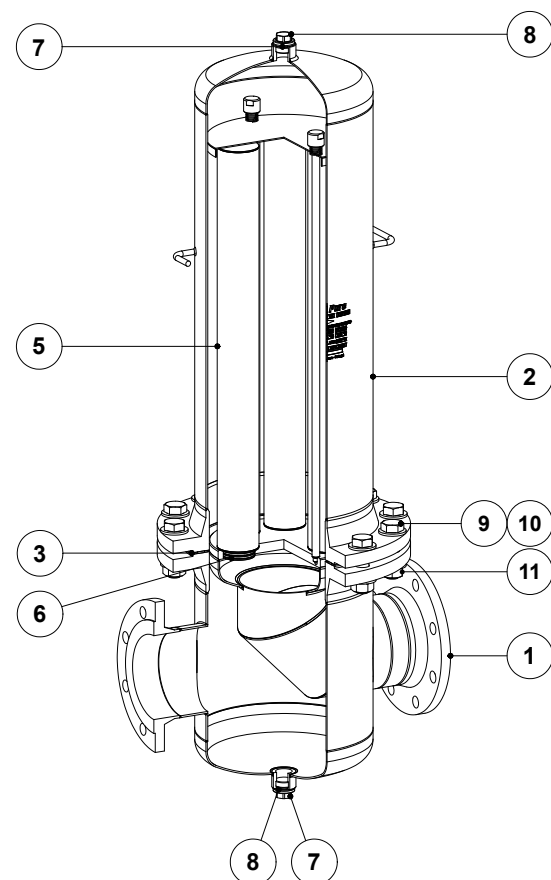
* Suffix L corresponds to low capacity design; suffix H corresponds to high capacity design.
 ** Tube weld (TW) ends according to ASME B36.19 or ISO 1127 depending on the size. See dimensions ØG and ØH. Other dimensions on request.
 *** Volume and weight correspond to flanged EN 1092-1 PN 16 design. Weight of filter housing with filter element(s). Other designs may have slightly different values.
 Remark: other sizes on request.

DIMENSIONS – ISC20i2 (mm)															
SIZE *	A THREADED	A ** TUBE WELD	A PN 16	A CLASS 150	B	C	ØD	ØE	F	ØG	ØH	ISFE SIZE	ISFE QTY.	VOL. *** (L)	WGT. *** (kg)
3/4" – DN 20	130	122	202	227	234	36	85	118	1/4"	26,9	22,3	0520	1	0,9	5,9
1" – DN 25	136	132	212	243	234	36	85	118	1/4"	33,7	28,5	0525	1	0,9	6,4
1 1/4" – DN 32	136	136	220	250	286	36	85	118	1/4"	42,4	37,2	0725	1	1,3	7,6
1 1/2" – DN 40	164	164	254	288	302	43	104	133	1/4"	48,3	43,1	0730	1	2	10,4
2"L – DN 50L	164	164	260	291	377	43	104	133	1/4"	60,3	54,5	1030	1	2,7	11,8
2"H – DN 50H	164	164	260	291	503	43	104	133	1/4"	60,3	54,5	1530	1	3,7	12,8
2 1/2" – DN 65	–	216	306	356	669	60	129	170	1/4"	76,1	70,3	2030	1	7,5	20,8
3"L – DN 80L	–	216	316	356	923	60	129	170	1/4"	88,9	82,5	3030	1	10,8	24,3
3"H – DN 80H	–	240	340	380	934	60	154	198	1/4"	88,9	82,5	3050	1	15,2	28,4

* Suffix L corresponds to low capacity design; suffix H corresponds to high capacity design.
 ** Tube weld (TW) ends according to ISO 1127. Other dimensions on request.
 *** Volume and weight correspond to flanged EN 1092-1 PN 16 design. Weight of filter housing with filter element(s). Other designs may have slightly different values.
 Remark: other sizes on request.



1/4" to 3" – DN 10 to DN 80



4" and 6" – DN 100 and DN 150

MATERIALS

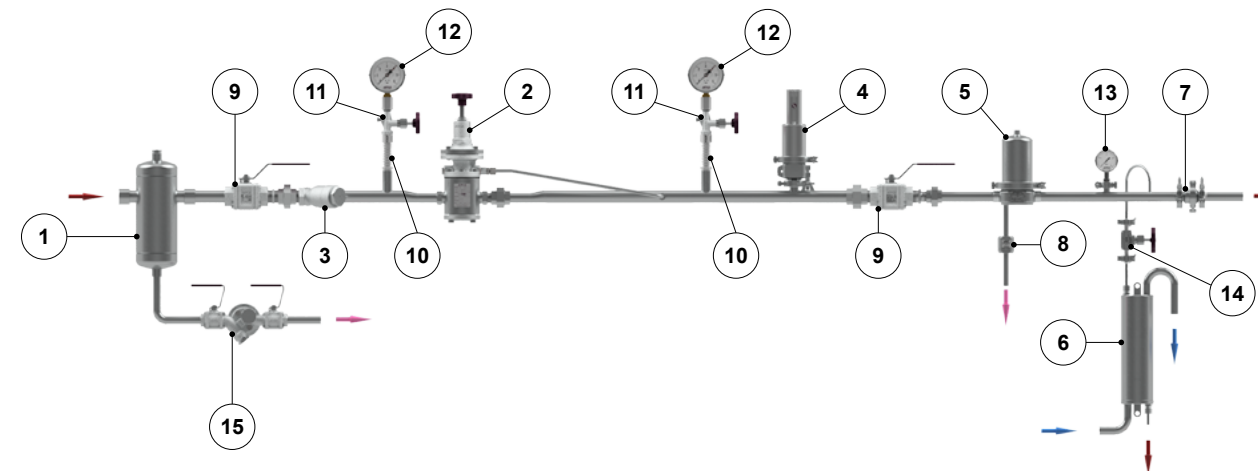
POS. N°	DESIGNATION	MATERIAL
1	Filter housing body	AISI 316L / 1.4404 (ISC20i)
		CF8M / 1.4408 (ISC20i2)
2	Filter housing cover	AISI 316L / 1.4404
3	* Seal	PTFE / FKM (1/4" to 3" - DN 10 to DN 80)
		PTFE (4" and 6" – DN 100 and DN 150)
4	Safety clamp	AISI 316 / 1.4401
5	* Filter element	Sintered AISI 316L
	Filter end caps	AISI 304 / 1.4301
6	* Filter seal o-rings	EPDM; EPM; Fluoraz®
7	Gasket	PTFE
8	Plug	AISI 304 / 1.4301
9	Bolts (4" and 6" – DN 100 and DN 150)	Stainless steel A2-70
10	Washers (4" and 6" – DN 100 and DN 150)	Stainless steel A2
11	Nuts (4" and 6" – DN 100 and DN 150)	Stainless steel A2-70

* Available spare parts.

FDA / USP Class VI seals certificate on request.

All filters have a serial number. In case of non-standard filter, this number must be supplied if spare parts are ordered.

TYPICAL INSTALLATION – FILTERED STEAM PRESSURE REDUCING STATION



MATERIALS

POS. N°	DESIGNATION	POS. N°	DESIGNATION
1	ADCA S16SS Centrifugal humidity separator	9	ADCA M3i1 Three piece ball valve
2	ADCA PRV47i Pilot operated pressure reducing valve	10	ADCA GSV Gauge siphon
3	ADCA IS140i Y Strainer	11	ADCA GC400i Gauge cock
4	ADCA Safety valve	12	ADCA MAN100i Pressure gauge
5	ADCAPure ISC20i Culinary steam filter	13	ADCAPure SMAN-63R Pressure gauge
6	ADCAPure SC32P Sample cooler	14	Sanitary needle valve
7	ADCAPure SRTH10 Check valve	15	UniADCA CTS4U Compact trapping station with UFS32 Steam trap
8	ADCA TSS22 Steam trap		



ORDERING CODES – ISC20i FILTER HOUSING							
Filter model	ISC20i	.	T	A	.	08	
ISC20i – AISI 316L / 1.4404 filter housing	ISC20i						
ISC20i2 – CF8M / 1.4408 body and AISI 316L / 1.4404 cover	ISC20i2						
Housing seal material							
PTFE / FKM (1/4" to 3" - DN 10 to DN 80) or PTFE (4" and 6" - DN 100 and DN 150)			T				
Pipe connection							
Female threaded ISO 7 Rp (only available from 1/4" up to 2")				A			
Female threaded NPT ASME B1.20.1 (only available from 1/4" up to 2")				C			
Tube weld				H			
Flanged EN 1092-1 PN 16				L			
Flanged ASME B16.5 Class 150				U			
Size							
1/4"						08	
3/8" or DN 10						10	
...						...	
3"L or DN 80L						80L	
3"H or DN 80H						80H	
...						...	
6"L or DN 150L						150L	
6" or DN 150H						150H	
Special / Extras							
Full description or additional codes have to be added in case of non-standard combination							E

ORDERING CODES – FILTER ELEMENT							
Filter element model	ISFE	.	X	0310	.	01	
ISFE – AISI 316L / 1.4404 filter element	ISFE						
Filter seal o-rings							
Without o-rings			X				
EPDM			E				
EPM			P				
Fluoraz®			F				
Filter element size according to housing connections							
1/4"				0310			
3/8" or DN 10				0410			
1/2" or DN 15				0420			
3/4" or DN 20				0520			
1" or DN 25				0525			
1 1/4" or DN 32				0725			
1 1/2" or DN 40				0730			
2"L or DN 50L				1030			
2"H or DN 50H				1530			
2 1/2" and 4"L or DN 65 and DN 100L				2030			
3"L, 4"H, 6"L and 6"H or DN 80L, DN 100H, DN 150L and DN 150H				3030			
3"H or DN 80H				3050			
Retention rate							
1 micron						01	
5 micron						05	
25 micron						25	
Special / Extras							
Full description or additional codes have to be added in case of non-standard combination							E

Order example:
 1 ADCAPure filter housing ISC20i with PTFE/FKM seals, threaded NPT, 2"L – Code: ISC20i.TC.50L
 1 ISFE filter element with 5 micron retention rate for the above mentioned filter – Code: ISFE.P1030.05
 Remark: we recommend a second filter element set as a spare part to ensure minimum downtime when replacing the one in use after saturation.

